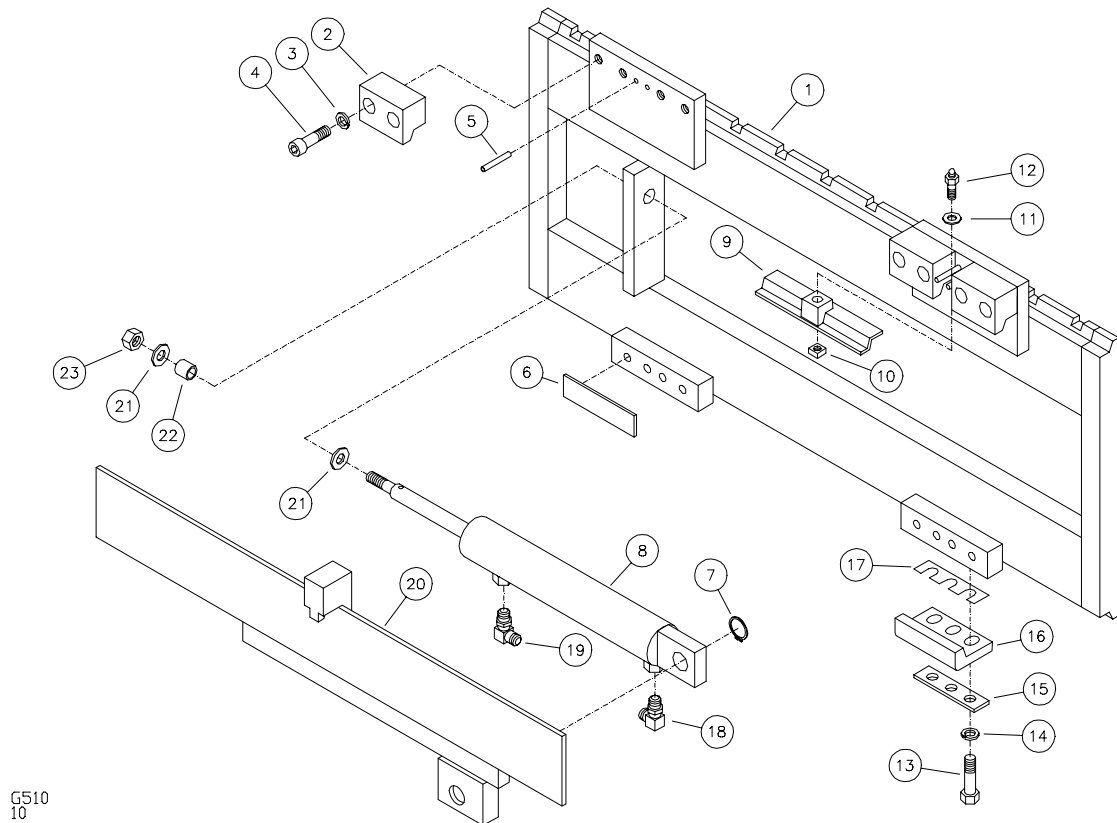


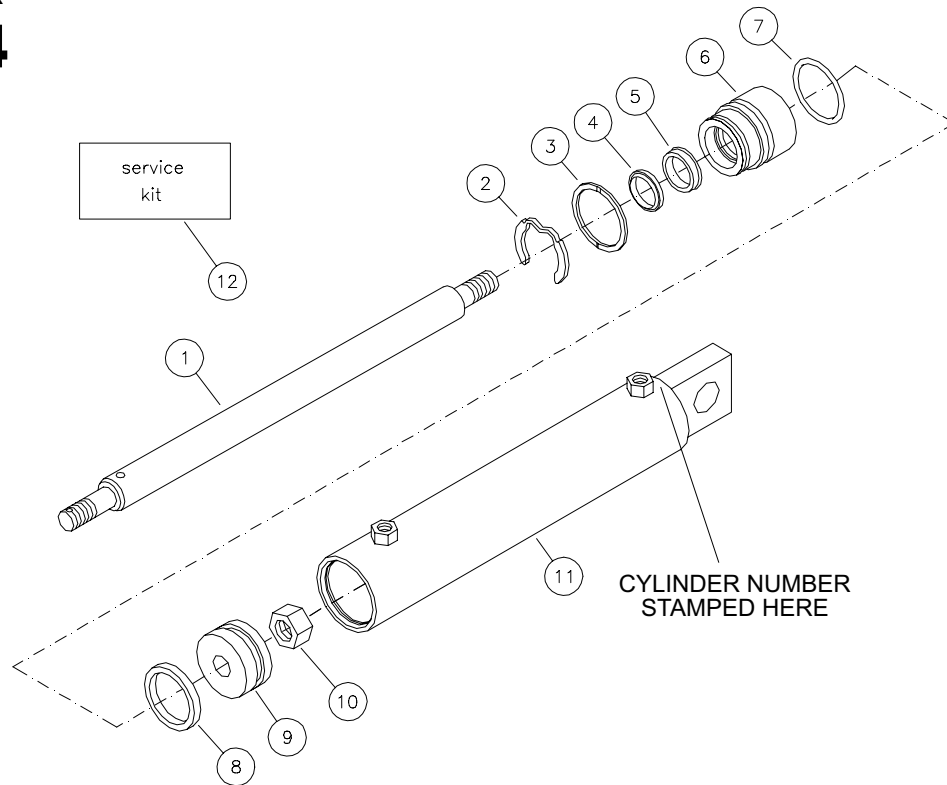
# CLASS III Y-SERIES SIDE SHIFTER FOR MODELS BEGINNING 9Y, 8Y, 7Y, 6Y



ITEM	REQ'D	PART #	DESCRIPTION	ITEM	REQ'D	PART #	DESCRIPTION
1.	1	201-215*	ITA SIDE SHIFT FRAME	13.	6	405-067-003	CAP SCREW
2.	4	006-002	HOOK	14.	6	402-016-003	LOCK WASHER
3.	8	402-017-002	LOCK WASHER	15.	2	004-216	PLATE
4.	8	403-036-004	SOCKET HEAD SCREW CAP	16.	2	005-302	ITA SLIDE/RETAINER
5.	4	401-016-002	ROLL PIN	17.	6	041-001	SHIM
6.	2	020-043-001	POLYETHYLENE BEARING	18.	1	120-070-002	FITTING
7.	1	410-019-002	RETAINING RING	19.	1	120-051-002	FITTING
8.	1	C-514	CYLINDER	20.	1	101-166*	CYLINDER ANCHOR
9.	2	005-301	ITA SLIDE/RETAINER	21.	2	404-012-001	FLAT WASHER
10.	2	406-004-001	NUT	22.	1	046-003	BUSHING
11.	2	404-002-001	FLAT WASHER	23.	1	406-023-001	NUT
12.	2	408-001	GREASE FITTING				

\* Specify side shifter model or serial number when ordering.

# CYLINDER C-514

G509  
7

ITEM	REQ'D	PART #	DESCRIPTION
1.	1	104-066-001	CYLINDER ROD
2.	1	410-022-002	RETAINING RING
3.	1	410-017-003	RETAINING RING
4.	1	124-007-003	ROD WIPER
5.	1	123-009-003	ROD/PISTON SEAL
6.	1	106-026-001	CYLINDER HEAD
7.	1	121-024-009	O-RING
8.	1	121-023-003	O-RING
9.	1	105-010	CYLINDER PISTON
10.	1	406-023-001	NUT
11.	1	108-067-001	TUBE ASSEMBLY
12.	0	900-010-001	SERVICE KIT

#### SERVICE KIT NUMBER 900-010-001 INCLUDES

1	124-007-003	ROD WIPER
1	123-009-003	ROD/PISTON SEAL
1	121-023-003	O-RING
1	410-017-003	RETAINING RING
1	121-024-009	O-RING
1	410-022-002	RETAINING RING

- All seals are included in service kit.  
Seals are not sold individually.