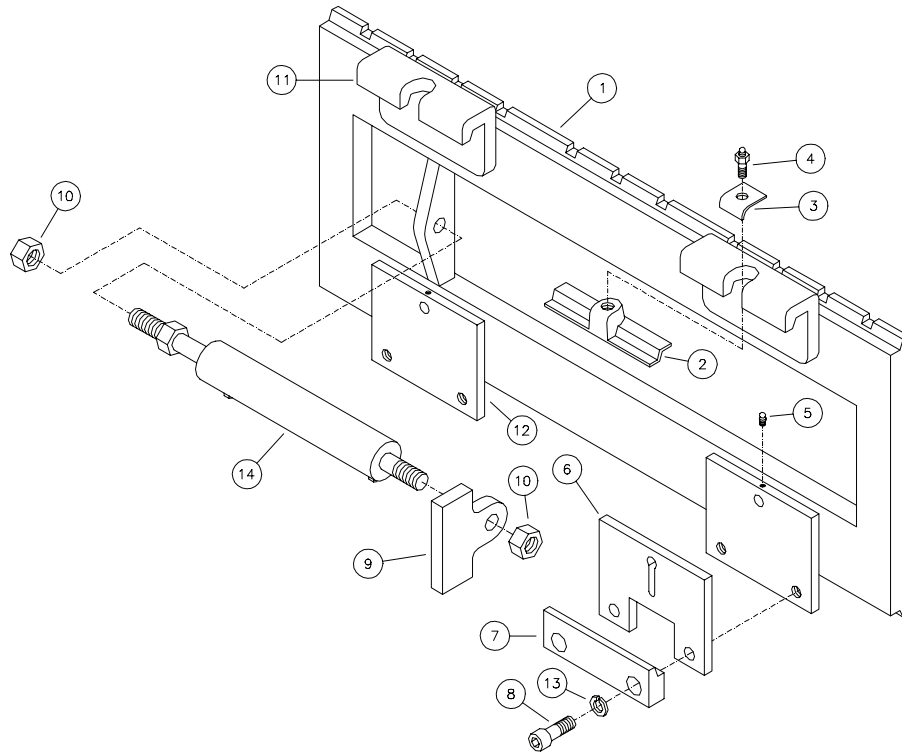


**CLASS II SIDE SHIFTER****FROM: MODEL 200-0000  
THRU: MODEL 249-9999****FROM: MODEL 200A-0000  
THRU: MODEL 249Z-9999**G272  
9

ITEM	REQ'D	PART #	DESCRIPTION	ITEM	REQ'D	PART #	DESCRIPTION
1.	1	*	FORK CARRIAGE	8.	4	403-042-002	SOCKET HEAD SCREW CAP
2.	2	10001	ITA SLIDE/RETAINER	9.	1	*	CYLINDER ANCHOR
3.	2	10040	TOP SLIDE RETAINER	10.	2	406-023-002	ITA NUT
4.	2	408-001	GREASE FITTING	11.	2	10000	HOOK
5.	2	408-003-001	GREASE FITTING	12.	2	10051	BOTTOM PAD
6.	2	10004	BOTTOM BRONZE SLIDE	13.	4	402-017-002	LOCK WASHER
				14.	1	SEE BELOW	CYLINDER

\* Specify side shifter model or serial number when ordering.

BORE	STROKE	ORIGINAL		UPDATED	
		CYLINDER #	SEAL KIT	CYLINDER #	SEAL KIT
2	8	C-105	17013	C-300	117-011
2	9	C-109	17013	C-301	117-011
2	10	C-100	17013	C-549-001	900-014-001
2.25	8	C-106	17010	C-300	117-011
2.25	9	C-107	17010	C-301	117-011
2.25	10	C-101	17010	C-546-001	900-010-002