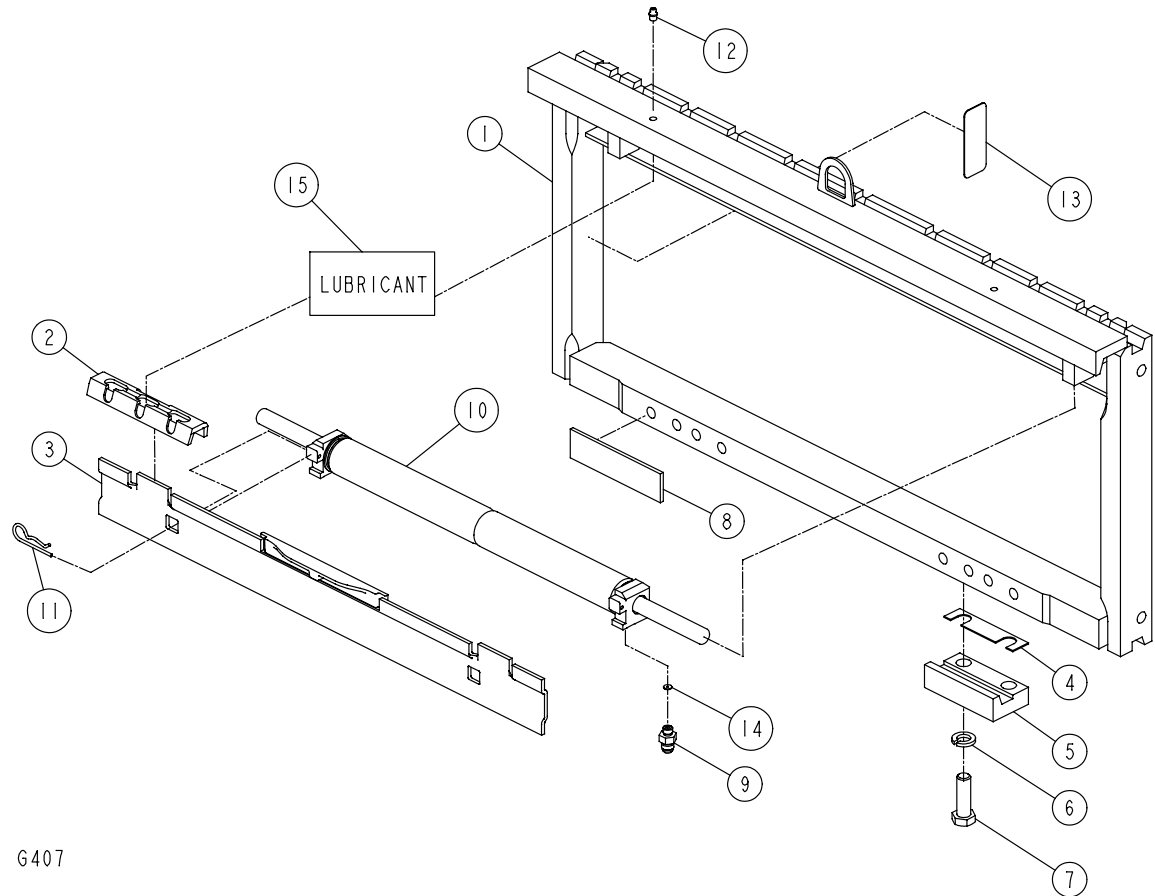


# CLASS II F-SERIES SIDE SHIFTER FOR MODELS BEGINNING 5F, 4F, 3F

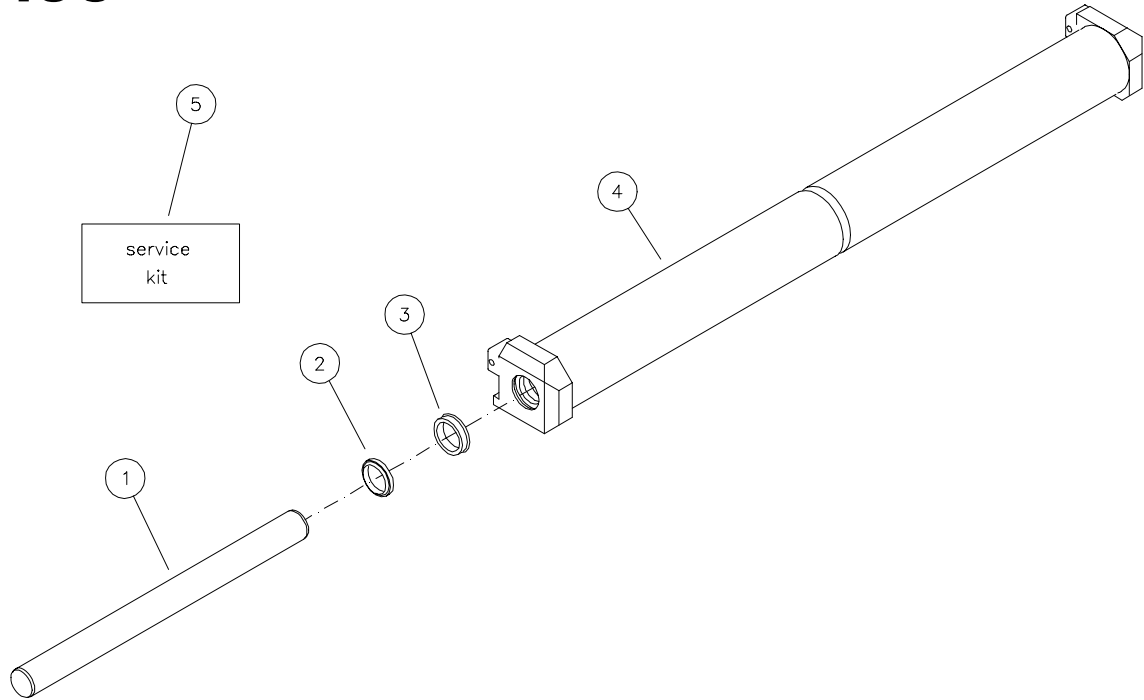


6407

ITEM	REQ'D	PART #	DESCRIPTION	ITEM	REQ'D	PART #	DESCRIPTION
1.	1	*	ITA SIDE SHIFT FRAME	8.	2 or 3	020-043-001	POLYETHYLENE BEARING
2.	2 or 4	005-205-001	ITA SLIDE/RETAINER	9.	2	120-050-007	FITTING
3.	1	101-158*	CYLINDER ANCHOR	10.	1	C-496	CYLINDER
4.	6	041-022-001	SHIM	11.	2	044-052-001	PIN
5.	2	005-206-001	ITA SLIDE/RETAINER	12.	2	408-006-001	GREASE FITTING
6.	4	402-016-001	LOCK WASHER	13.	1	*	TAG
7.	4	405-068-002	CAP SCREW	14.	2	120-087-001	RESTRICTOR DISC
				15.	2	450-001-001	LUBRICANT

\* Specify side shifter model or serial number when ordering.

# CYLINDER C-496

G406  
5

ITEM	REQ'D	PART #	DESCRIPTION
1.	2	104-060-001	CYLINDER ROD
2.	2	124-007-003	ROD WIPER
3.	2	123-009-003	ROD SEAL
4.	1	108-061-001	TUBE ASSEMBLY
5.	0	900-005-001	SERVICE KIT

#### SERVICE KIT NUMBER 900-005-001 INCLUDES

2	124-007-003	ROD WIPER
2	123-009-003	ROD SEAL

- All seals are included in service kit.  
Seals are not sold individually.