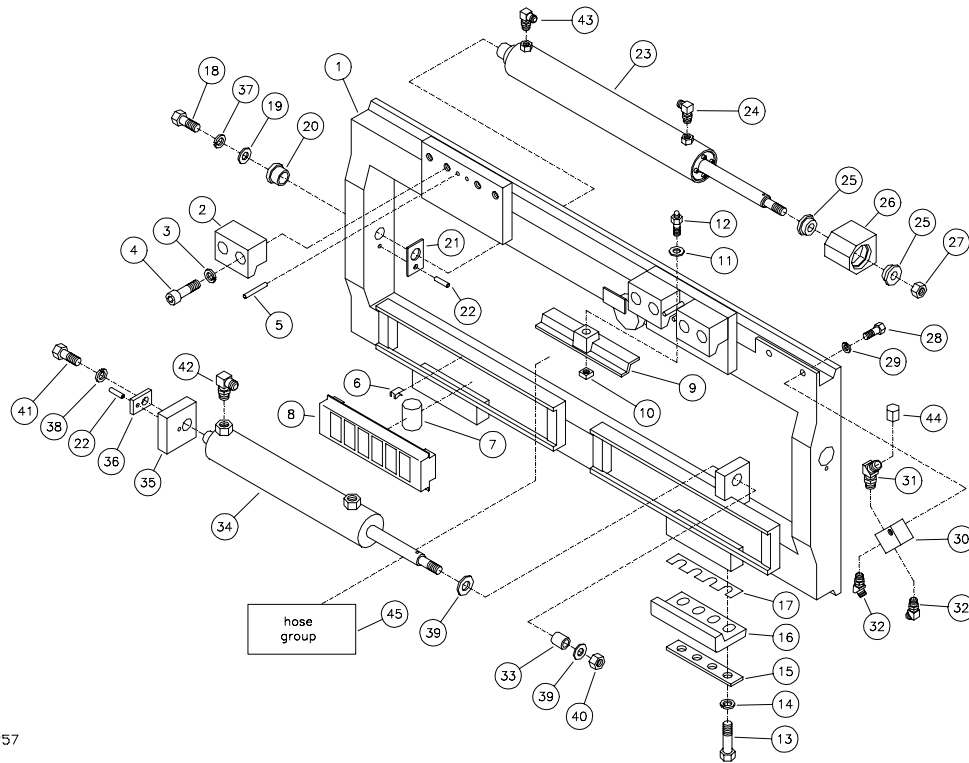


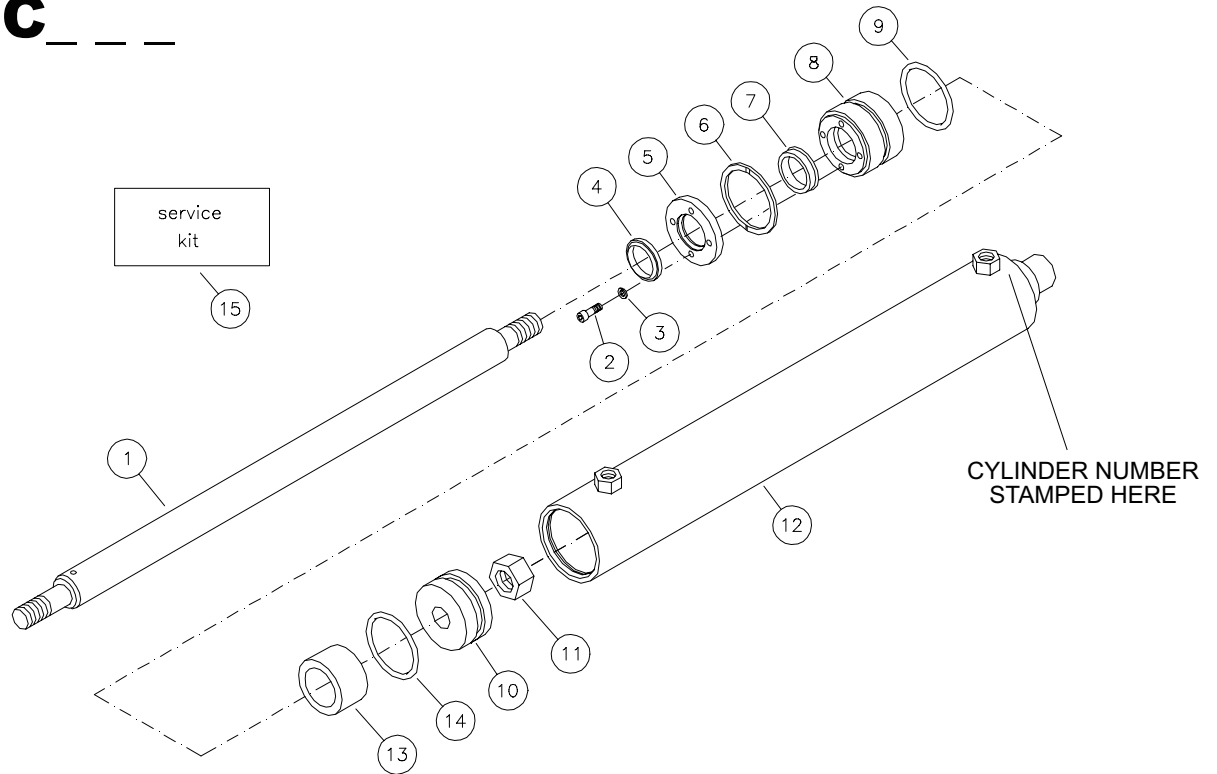
CLASS IV SIDE SHIFTING FORK POSITIONER FOR MODELS BEGINNING E15C, E14C, E13C, E12C, E11C

G257
10

ITEM	REQ'D	PART #	DESCRIPTION	ITEM	REQ'D	PART #	DESCRIPTION
1.	1	204-012*	FORK POSITIONER	24.	2	120-051-003	FITTING
2.	4	006-003	HOOK	25.	4	046-007	BUSHING
3.	8	402-017-004	LOCK WASHER	26.	2	101-023	CYLINDER ANCHOR
4.	8	403-039-001	SOCKET HEAD SCREW CAP	27.	2	406-023-006	NUT
5.	4	401-016-002	ROLL PIN	28.	2	405-072-001	CAP SCREW
6.	2	417-001	SPRING CLIP	29.	2	402-016-004	LOCK WASHER
7.	12	047-004	ROLLERS HEAT TREATED	30.	2	119-005-001	MANIFOLD
8.	2	003-010	ROLLER CAGE	31.	2	120-064-001	FITTING
9.	2	005-402	ITA SLIDE/RETAINER	32.	4	120-064-002	FITTING
10.	2	406-004-001	NUT	33.	1	046-009	BUSHING
11.	2	404-002-001	FLAT WASHER	34.	1	C-340	CYLINDER
12.	2	408-002	GREASE FITTING	35.	1	101-153-003	CYLINDER ANCHOR
13.	8	405-067-003	CAP SCREW	36.	1	004-007	PLATE
14.	8	402-016-003	LOCK WASHER	37.	2	402-016-001	LOCK WASHER
15.	2	004-225	PLATE	38.	1	402-016-002	LOCK WASHER
16.	2	005-401	ITA SLIDE/RETAINER	39.	2	404-009-002	FLAT WASHER
17.	6	041-002	SHIM	40.	1	406-023-002	NUT
18.	2	405-068-005	CAP SCREW	41.	1	405-069-004	CAP SCREW
19.	2	404-009-003	FLAT WASHER	42.	2	120-051-002	FITTING
20.	2	046-004	BUSHING	43.	2	120-070-001	FITTING
21.	2	004-006	PLATE	44.	2	120-059-001	FITTING
22.	3	401-016-001	ROLL PIN	45.	1	127*	HYDRAULIC HOSE GROUP
23.	2	C-1C*	CYLINDER				

* Specify fork positioner model or serial number when ordering.

CYLINDER

C-1C _ _ _G90
7

ITEM	REQ'D	PART #	DESCRIPTION
1.	1	104-007*	CYLINDER ROD
2.	4	403-034-002	SOCKET HEAD CAP SCREW
3.	4	402-016-008	LOCK WASHER
4.	1	124-007-001	ROD WIPER
5.	1	107-005-001	CYLINDER RETAINER
6.	1	410-017-003	RETAINING RING
7.	1	123-009-001	ROD SEAL
8.	1	106-007-001	CYLINDER HEAD
9.	1	121-024-009	O-RING
10.	1	105-005-001	CYLINDER PISTON
11.	1	406-023-006	NUT
12.	1	108-004*	TUBE ASSEMBLY
13.	1	050-001*	SPACER
14.	1	121-023-003	O-RING
15.	0	900-002-003	SERVICE KIT

SERVICE KIT NUMBER 900-002-003 INCLUDES

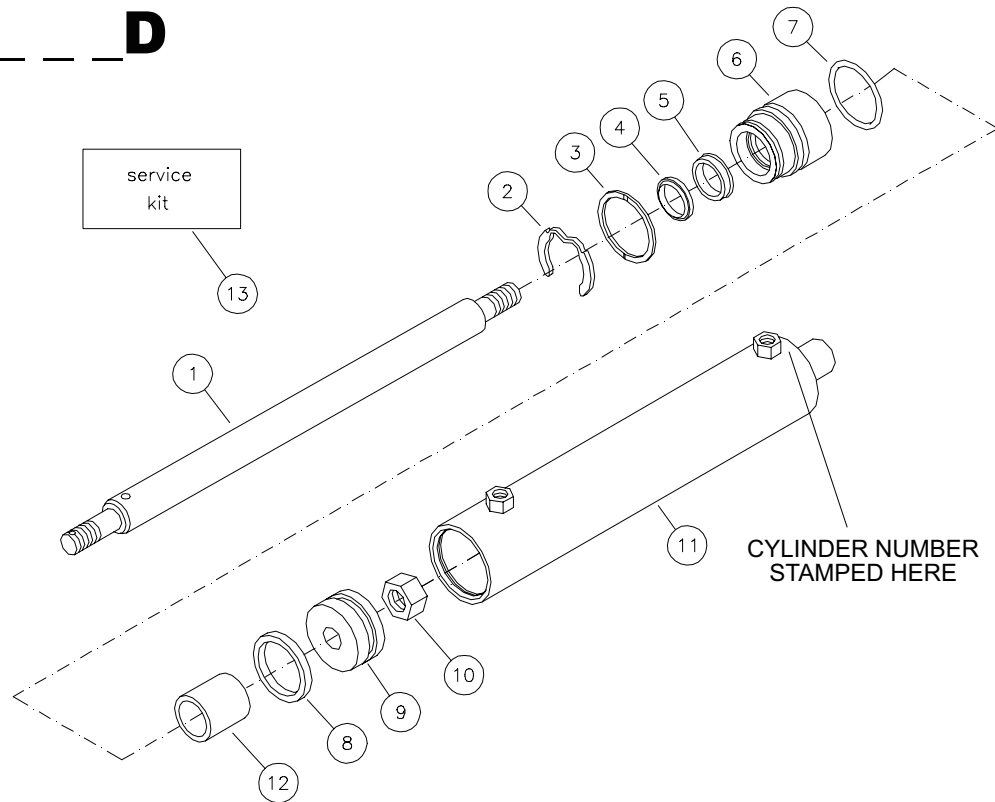
1	124-007-001	ROD WIPER
1	123-009-001	ROD SEAL
1	121-023-003	O-RING
4	403-034-002	SOCKET HEAD CAP SCREW
4	402-016-008	LOCK WASHER
1	410-017-003	RETAINING RING
1	121-024-009	O-RING

* Specify cylinder number, attachment model number, or attachment serial number when ordering.

- All seals are included in service kit. Seals are not sold individually.

CYLINDER

C-1C _ _ _ D

G588
7

ITEM	REQ'D	PART #	DESCRIPTION
1.	1	104-007*	CYLINDER ROD
2.	1	410-022-002	RETAINING RING
3.	1	410-017-003	RETAINING RING
4.	1	124-007-001	ROD WIPER
5.	1	123-009-001	ROD/PISTON SEAL
6.	1	106-033-001	CYLINDER HEAD
7.	1	121-024-009	O-RING
8.	1	121-023-003	O-RING
9.	1	105-005-001	CYLINDER PISTON
10.	1	406-023-006	NUT
11.	1	108-004*	TUBE ASSEMBLY
12.	1	050-001*	SPACER/TUBE
13.	0	900-024-001	SERVICE KIT

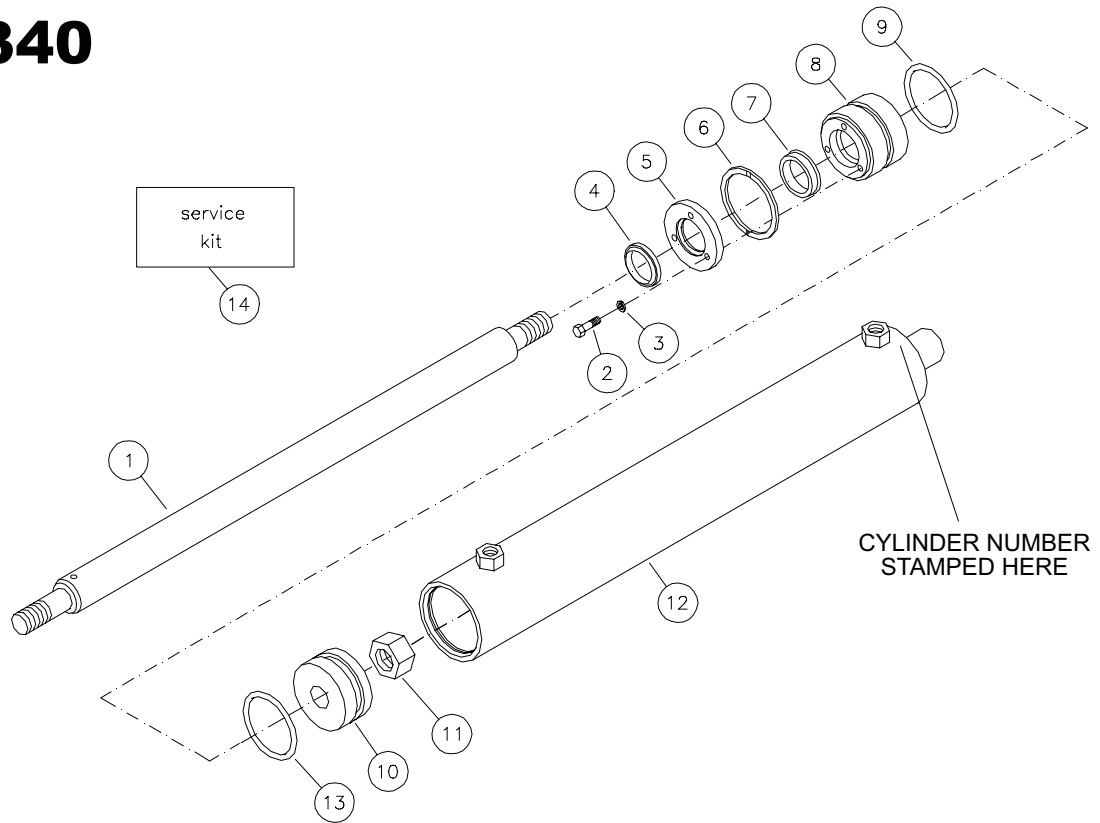
SERVICE KIT NUMBER 900-024-001 INCLUDES

1	124-007-001	ROD WIPER
1	123-009-001	ROD/PISTON SEAL
1	121-024-009	O-RING
1	410-022-002	RETAINING RING
1	121-023-003	O-RING
1	410-017-003	RETAINING RING

* Specify cylinder number, attachment model number, or attachment serial number when ordering.

- All seals are included in service kit. Seals are not sold individually.

CYLINDER C-340

G36
7

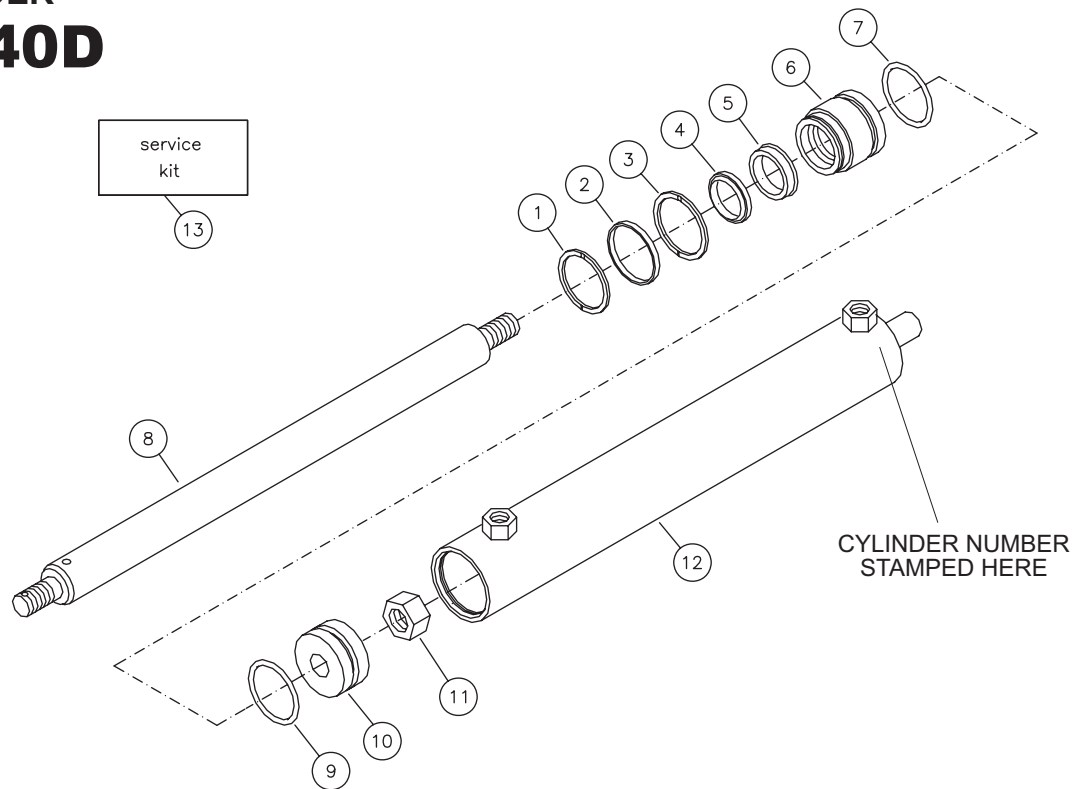
ITEM	REQ'D	PART #	DESCRIPTION
1.	1	104-024-001	CYLINDER ROD
2.	3	405-076-001	SOCKET HEAD CAP SCREW
3.	3	402-016-006	LOCK WASHER
4.	1	124-007-002	ROD WIPER
5.	1	107-006-001	CYLINDER RETAINER
6.	1	410-017-002	RETAINING RING
7.	1	123-009-002	ROD SEAL
8.	1	106-008-001	CYLINDER HEAD
9.	1	121-024-004	O-RING
10.	1	105-003-001	CYLINDER PISTON
11.	1	406-023-002	NUT
12.	1	108-008-001	TUBE ASSEMBLY
13.	1	121-023-002	O-RING
14.	0	900-002-001	SERVICE KIT

SERVICE KIT NUMBER 900-002-001 INCLUDES

1	124-007-002	ROD WIPER
1	123-009-002	ROD SEAL
1	121-023-002	O-RING
3	405-076-001	SOCKET HEAD CAP SCREW
3	402-016-006	LOCK WASHER
1	410-017-002	RETAINING RING
1	121-024-004	O-RING

- All seals are included in service kit.
Seals are not sold individually.

CYLINDER C-340D

G881
7

ITEM	REQ'D	PART #	DESCRIPTION
1.	1	410-018-005	RETAINING RING
2.	1	046-041-006	BUSHING
3.	1	410-017-002	RETAINING RING
4.	1	124-007-002	ROD WIPER
5.	1	123-009-004	ROD/PISTON SEAL
6.	1	106-032-001	CYLINDER HEAD
7.	1	121-024-004	O-RING
8.	1	104-024-001	CYLINDER ROD
9.	1	121-023-002	O-RING
10.	1	105-003-001	CYLINDER PISTON
11.	1	406-023-002	NUT
12.	1	108-008-001	TUBE ASSEMBLY
13.	0	900-023-001	SERVICE KIT

SERVICE KIT NUMBER 900-023-001 INCLUDES

1	124-007-002	ROD WIPER
1	123-009-004	ROD/PISTON SEAL
1	121-024-004	O-RING
1	410-018-005	RETAINING RING
1	121-023-002	O-RING
1	410-017-002	RETAINING RING

- All seals are included in service kit.
Seals are not sold individually.

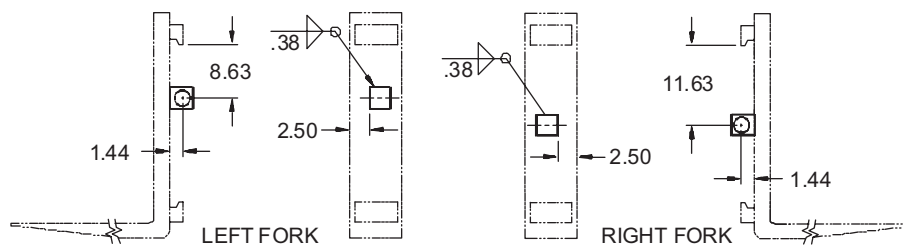
INSTALLATION INSTRUCTIONS FOR ITA CLASS IV FORK POSITIONERS

These Instructions cover both side shifting and non-side shifting ITA class IV models. Fork installation information is included for units without factory supplied forks. Welding is required to install forks and to mount side shifting units.

Please read the instructions completely before you begin. Keep hands and feet free from dangerous positions or pinch points while working. Wear eye protection and appropriate clothing. Use the correct tools. Work in a clean, well lighted area taking care not to contaminate the hydraulic system as serious damage could result. Protect cylinder rods and other critical surfaces from weld spatter or accidental damage.

Installing the Forks *(Skip this procedure if your unit has factory installed forks.)*

1. Remove the fork anchors fastened to the fork positioning cylinder rods.
2. Weld one of the anchors to each fork shank as shown below. Make sure the anchor is level. Forks are made with various alloys. Contact the fork manufacturer for the recommended welding procedure.
3. Loosen the nut on each fork positioning cylinder base enough to push the cylinders back and allow the forks to be loaded through the center notch. Note: left and right are as viewed from the truck seat.



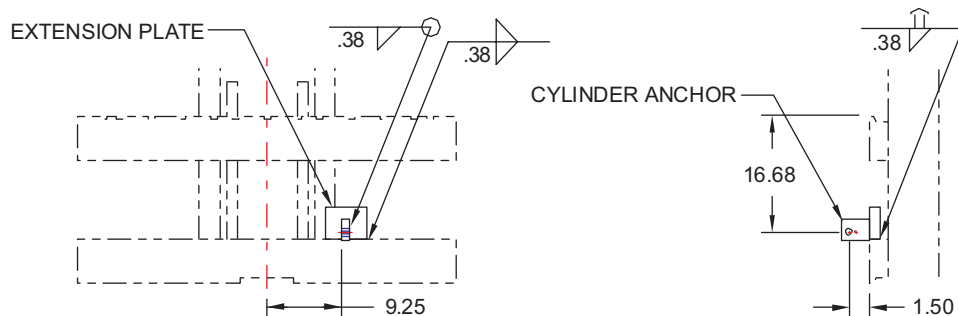
NOTE!

Front mounted backrests require the 2.50 Dimension to be reduced by width of mounting flange. Forks may hit when fully retracted

4. Insert the rod end of the fork positioning cylinder into the appropriate fork anchor, check for proper alignment then tighten the nuts on both ends of the cylinder.

Installing the Side Shift Cylinder Anchor *(Skip this procedure if your unit is non-side shifting.)*

1. Remove the side shift cylinder anchor from the side shift cylinder.
2. Carefully measure the truck carriage face as shown below and mark the cylinder anchor position. If the anchor does not contact the face of the lower carriage bar use the additional 1 inch thick extension plate provided. Position the extension plate on top of the lower bar, flush with the face of the carriage bar as shown. Tack weld the extension plate to the carriage bar.
3. Position the cylinder anchor as illustrated and tack weld. Insure that the anchor is perpendicular to the face of the truck carriage. Carriages are made with various alloys. Contact the truck manufacturer for the recommended welding procedure. Finish weld as indicated.



Mounting the Attachment

1. Remove the lower retainers.
2. Hang the Fork Positioner on the truck carriage, install the side shift cylinder and reinstall the retainers using shims as required.

If you have any questions or comments call (503)-556-1761 for technical assistance. Thank you for using Rightline products.