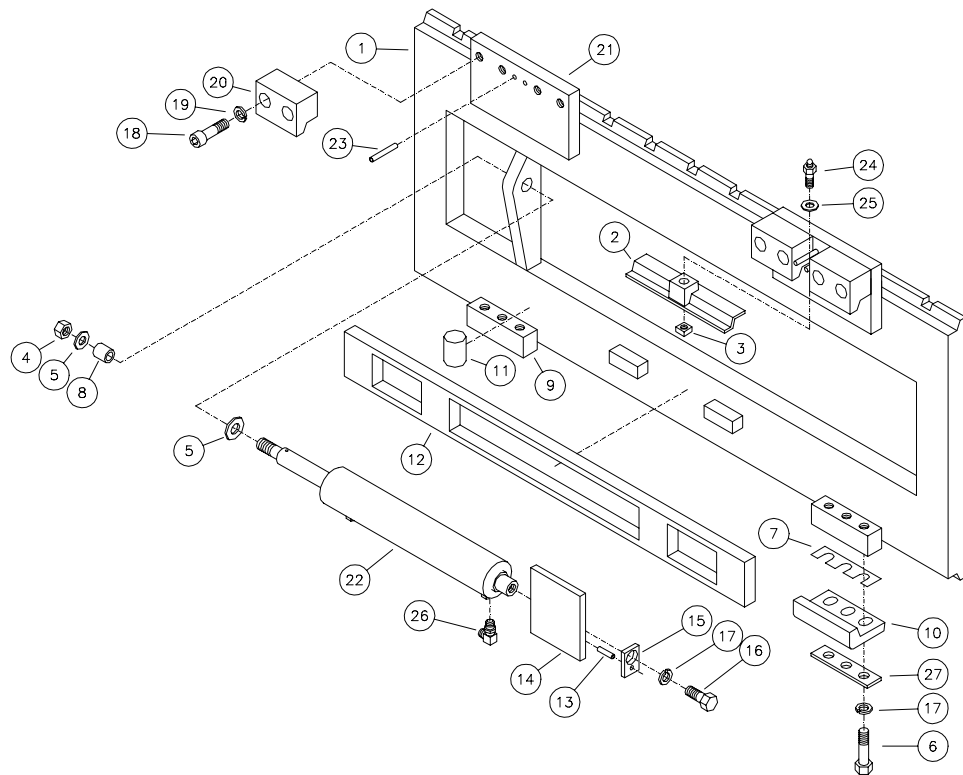


CLASS II SIDE SHIFTER

FROM: MODEL AA 5 A-0000
THRU: MODEL ZZ 5 F-9999

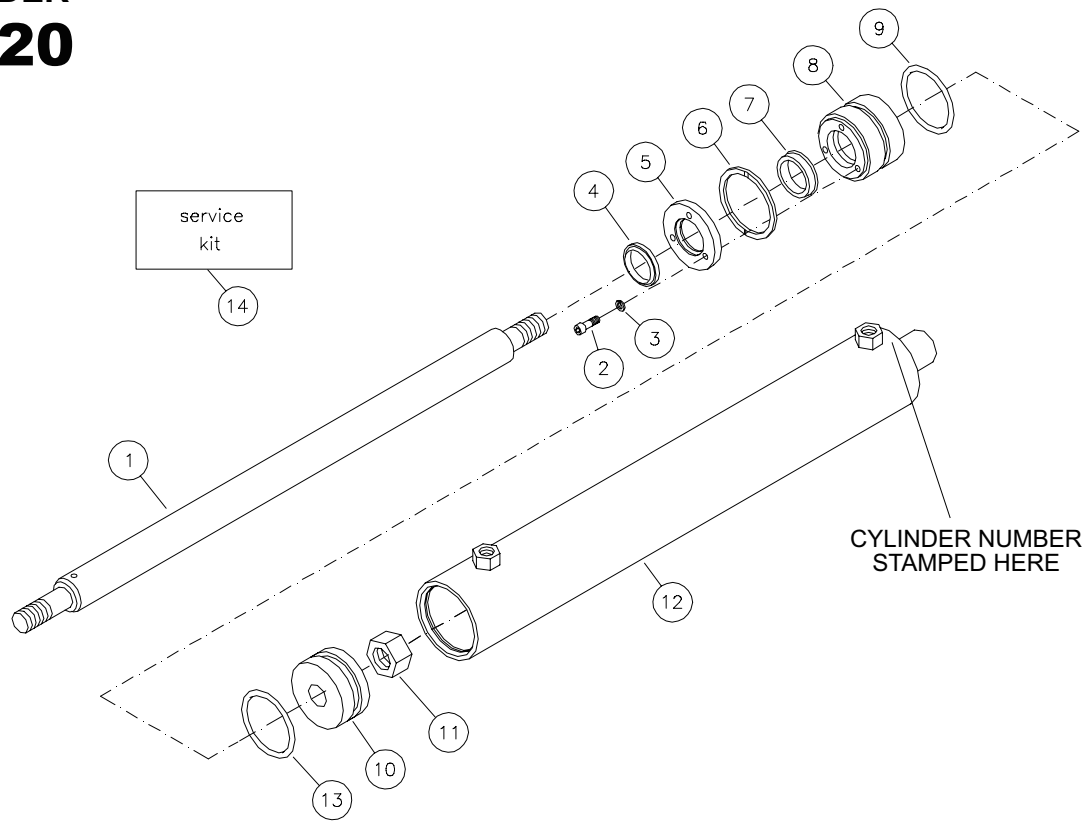


G267
10

| ITEM | REQ'D | PART # | DESCRIPTION | ITEM | REQ'D | PART # | DESCRIPTION |
|------|-------|-------------|----------------------|------|-------|-------------|-----------------------|
| 1. | 1 | * | SIDE SHIFT FRAME | 15. | 1 | 004-009 | PLATE |
| 2. | 2 | 005-203 | ITA SLIDE/RETAINER | 16. | 1 | 405-067-005 | CAP SCREW |
| 3. | 2 | 406-004-001 | NUT | 17. | 7 | 402-016-003 | LOCK WASHER |
| 4. | 1 | 406-023-001 | NUT | 18. | 8 | 403-028-001 | SOCKET HEAD SCREW CAP |
| 5. | 2 | 404-009-001 | FLAT WASHER | 19. | 8 | 402-017-002 | LOCK WASHER |
| 6. | 6 | 405-067-003 | CAP SCREW | 20. | 4 | 11021 | TOP HOOK |
| 7. | 6 | 041-001 | SHIM | 21. | 2 | 18810 | TOP PAD |
| 8. | 1 | 046-003 | BUSHING | 22. | 1 | C-320 | CYLINDER |
| 9. | 2 | 002-001-001 | BOTTOM PAD | 23. | 4 | 401-016-002 | ROLL PIN |
| 10. | 2 | 005-202 | ITA SLIDE/RETAINER | 24. | 2 | 408-001 | GREASE FITTING |
| 11. | 6 | 047-001 | ROLLERS HEAT TREATED | 25. | 2 | 404-002-001 | FLAT WASHER |
| 12. | 1 | * | ROLLER CAGE | 26. | 2 | 120-051-002 | FITTING |
| 13. | 1 | 401-016-001 | ROLL PIN | 27. | 2 | 004-216 | PLATE |
| 14. | 1 | 101-020-001 | CYLINDER ANCHOR | | | | |

* Specify side shifter model or serial number when ordering.

CYLINDER C-320

G35
7

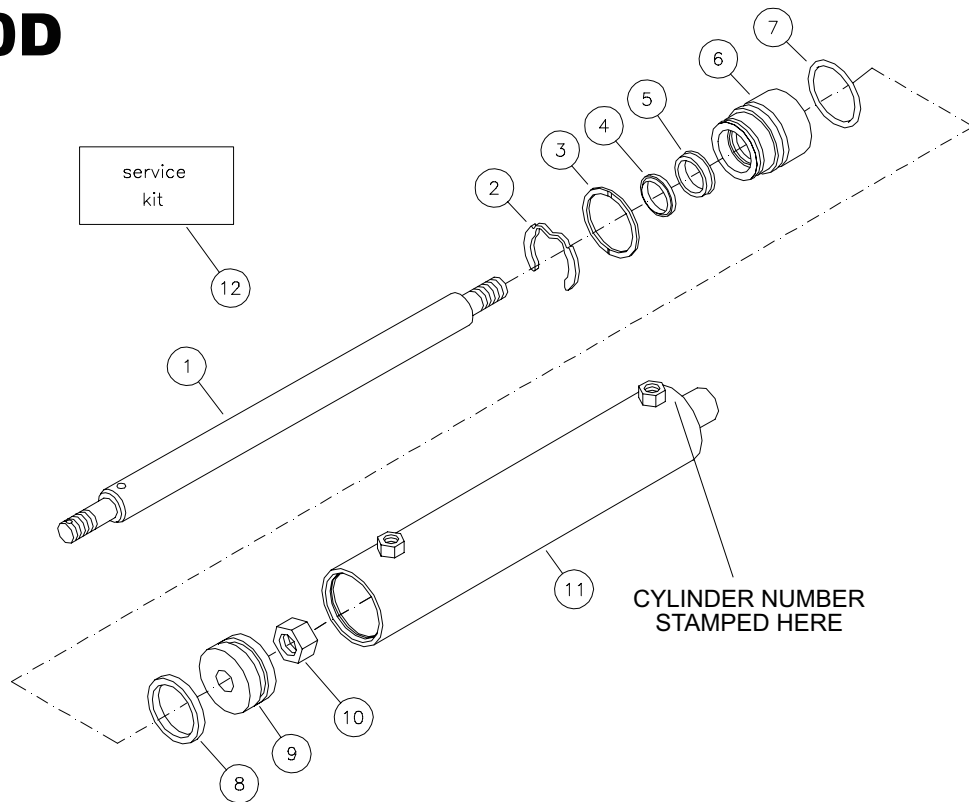
| ITEM | REQ'D | PART # | DESCRIPTION |
|------|-------|-------------|-----------------------|
| 1. | 1 | 104-023-001 | CYLINDER ROD |
| 2. | 3 | 403-034-001 | SOCKET HEAD CAP SCREW |
| 3. | 3 | 402-016-007 | LOCK WASHER |
| 4. | 1 | 124-007-003 | ROD WIPER |
| 5. | 1 | 107-001-001 | CYLINDER RETAINER |
| 6. | 1 | 410-017-004 | RETAINING RING |
| 7. | 1 | 123-009-003 | ROD SEAL |
| 8. | 1 | 106-001-001 | CYLINDER HEAD |
| 9. | 1 | 121-024-010 | O-RING |
| 10. | 1 | 105-001-001 | CYLINDER PISTON |
| 11. | 1 | 406-023-001 | NUT |
| 12. | 1 | 108-006-001 | TUBE ASSEMBLY |
| 13. | 1 | 121-023-004 | O-RING |
| 14. | 0 | 900-002-005 | SERVICE KIT |

SERVICE KIT NUMBER 900-002-005 INCLUDES

| | | |
|---|-------------|-----------------------|
| 1 | 124-007-003 | ROD WIPER |
| 1 | 123-009-003 | ROD SEAL |
| 1 | 121-023-004 | O-RING |
| 3 | 403-034-001 | SOCKET HEAD CAP SCREW |
| 3 | 402-016-007 | LOCK WASHER |
| 1 | 410-017-004 | RETAINING RING |
| 1 | 121-024-010 | O-RING |

- All seals are included in service kit.
Seals are not sold individually.

CYLINDER C-320D

G537
7

| ITEM | REQ'D | PART # | DESCRIPTION |
|------|-------|-------------|-----------------|
| 1. | 1 | 104-023-001 | CYLINDER ROD |
| 2. | 1 | 410-022-003 | RETAINING RING |
| 3. | 1 | 410-017-004 | RETAINING RING |
| 4. | 1 | 124-007-003 | ROD WIPER |
| 5. | 1 | 123-009-003 | ROD/PISTON SEAL |
| 6. | 1 | 106-021-001 | CYLINDER HEAD |
| 7. | 1 | 121-024-010 | O-RING |
| 8. | 1 | 121-023-004 | O-RING |
| 9. | 1 | 105-001-001 | CYLINDER PISTON |
| 10. | 1 | 406-023-001 | NUT |
| 11. | 1 | 108-006-001 | TUBE ASSEMBLY |
| 12. | 0 | 900-014-002 | SERVICE KIT |

SERVICE KIT NUMBER 900-014-002 INCLUDES

| | | |
|---|-------------|-----------------|
| 1 | 124-007-003 | ROD WIPER |
| 1 | 123-009-003 | ROD/PISTON SEAL |
| 1 | 121-024-010 | O-RING |
| 1 | 410-022-003 | RETAINING RING |
| 1 | 121-023-004 | O-RING |
| 1 | 410-017-004 | RETAINING RING |

- All seals are included in service kit.
Seals are not sold individually.