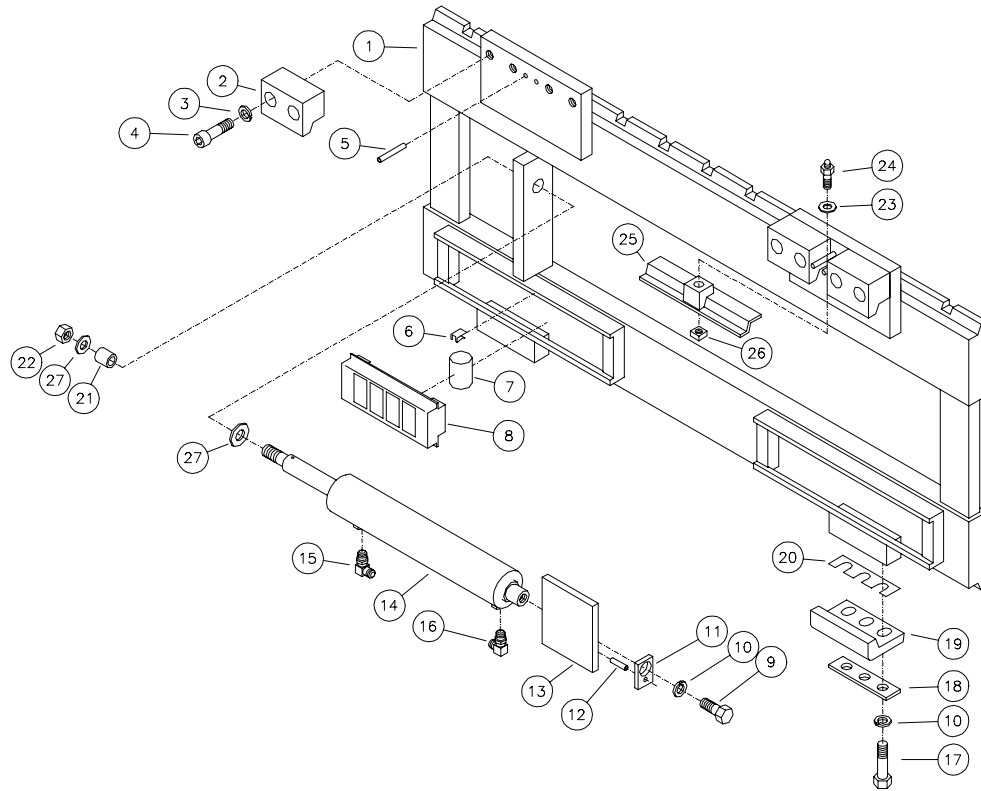


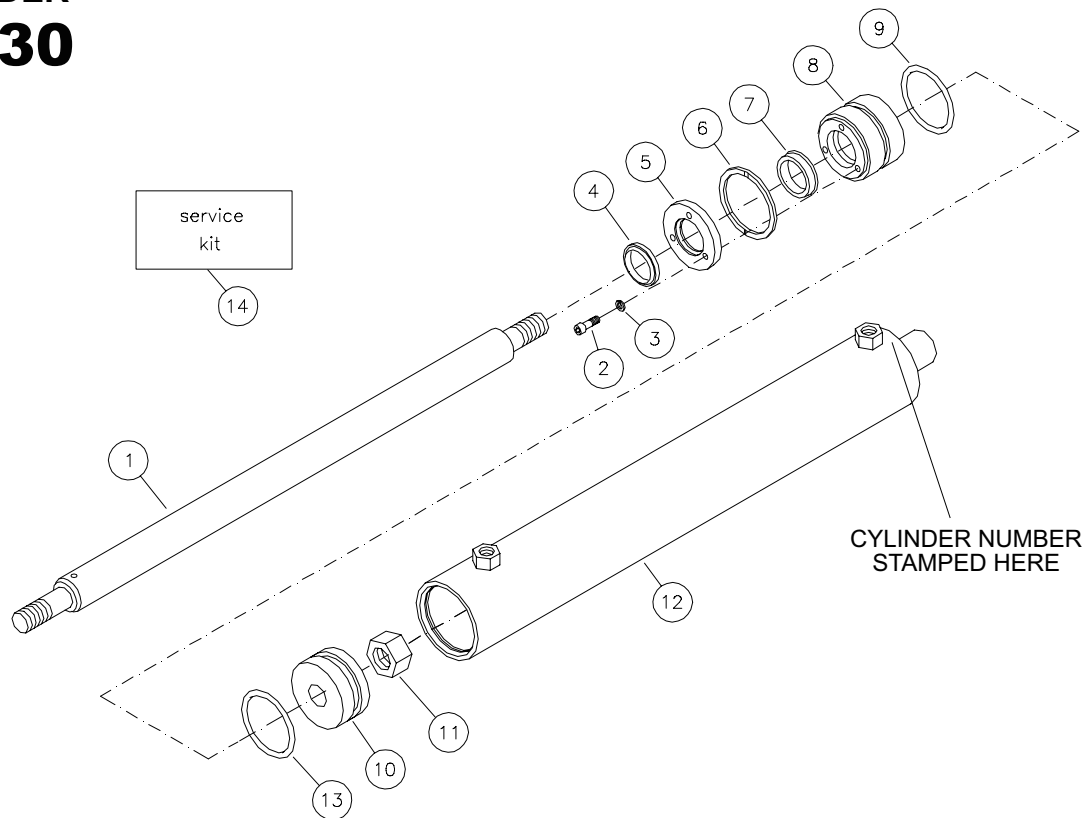
CLASS III B-SERIES SIDE SHIFTER FOR MODELS BEGINNING 9B, 8B, 7B, 6B

G302
10

ITEM	REQ'D	PART #	DESCRIPTION	ITEM	REQ'D	PART #	DESCRIPTION
1.	1	201-002*	ITA SIDE SHIFT FRAME	15.	1	120-051-002	FITTING
2.	4	006-006	HOOK	16.	1	120-070-002	FITTING
3.	8	402-017-002	LOCK WASHER	17.	6	405-067-003	CAP SCREW
4.	8	403-036-006	SOCKET HEAD SCREW CAP	18.	2	004-216	PLATE
5.	4	401-016-002	ROLL PIN	19.	2	005-302	ITA SLIDE/RETAINER
6.	2	417-001	SPRING CLIP	20.	6	041-001	SHIM
7.	8	047-004	ROLLERS HEAT TREATED	21.	1	046-003	BUSHING
8.	2	003-009	ROLLER CAGE	22.	1	406-023-001	NUT
9.	1	405-067-005	CAP SCREW	23.	2	404-002-001	FLAT WASHER
10.	7	402-016-003	LOCK WASHER	24.	2	408-001	GREASE FITTING
11.	1	004-009	PLATE	25.	2	005-303	ITA SLIDE/RETAINER
12.	1	401-016-001	ROLL PIN	26.	2	406-004-001	NUT
13.	1	101-020-001	CYLINDER ANCHOR	27.	2	404-009-001	FLAT WASHER
14.	1	C-330	CYLINDER				

* Specify side shifter model or serial number when ordering.

CYLINDER C-330

G35
7

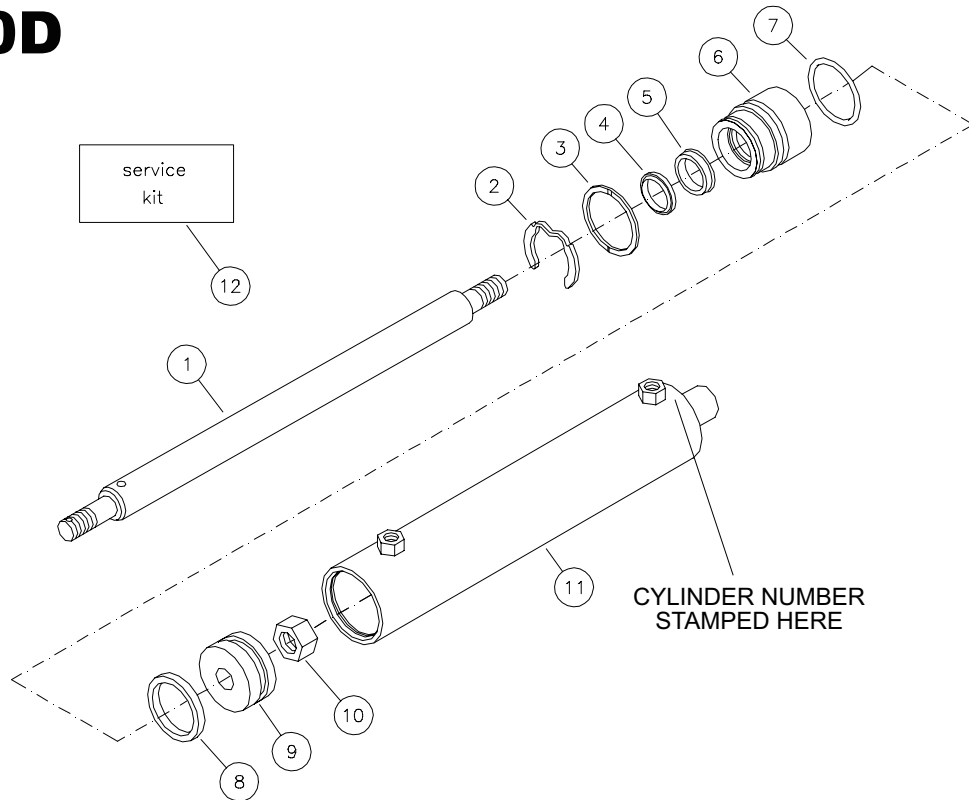
ITEM	REQ'D	PART #	DESCRIPTION
1.	1	104-023-001	CYLINDER ROD
2.	3	403-034-001	SOCKET HEAD CAP SCREW
3.	3	402-016-007	LOCK WASHER
4.	1	124-007-003	ROD WIPER
5.	1	107-002-001	CYLINDER RETAINER
6.	1	410-017-001	RETAINING RING
7.	1	123-009-003	ROD SEAL
8.	1	106-002-001	CYLINDER HEAD
9.	1	121-024-008	O-RING
10.	1	105-002-001	CYLINDER PISTON
11.	1	406-023-001	NUT
12.	1	108-007-001	TUBE ASSEMBLY
13.	1	121-023-001	O-RING
14.	0	900-002-002	SERVICE KIT

SERVICE KIT NUMBER 900-002-002 INCLUDES

1	124-007-003	ROD WIPER
1	123-009-003	ROD SEAL
1	121-023-001	O-RING
3	403-034-001	SOCKET HEAD CAP SCREW
3	402-016-007	LOCK WASHER
1	410-017-001	RETAINING RING
1	121-024-008	O-RING

- All seals are included in service kit.
Seals are not sold individually.

CYLINDER C-330D



ITEM	REQ'D	PART #	DESCRIPTION
1.	1	104-023-001	CYLINDER ROD
2.	1	410-022-001	RETAINING RING
3.	1	410-017-001	RETAINING RING
4.	1	124-007-003	ROD WIPER
5.	1	123-009-003	ROD/PISTON SEAL
6.	1	106-022-001	CYLINDER HEAD
7.	1	121-024-008	O-RING
8.	1	121-023-001	O-RING
9.	1	105-002-001	CYLINDER PISTON
10.	1	406-023-001	NUT
11.	1	108-007-001	TUBE ASSEMBLY
12.	0	900-014-001	SERVICE KIT

SERVICE KIT NUMBER 900-014-001 INCLUDES

1	124-007-003	ROD WIPER
1	123-009-003	ROD/PISTON SEAL
1	121-024-008	O-RING
1	410-022-001	RETAINING RING
1	121-023-001	O-RING
1	410-017-001	RETAINING RING

- All seals are included in service kit.
Seals are not sold individually.