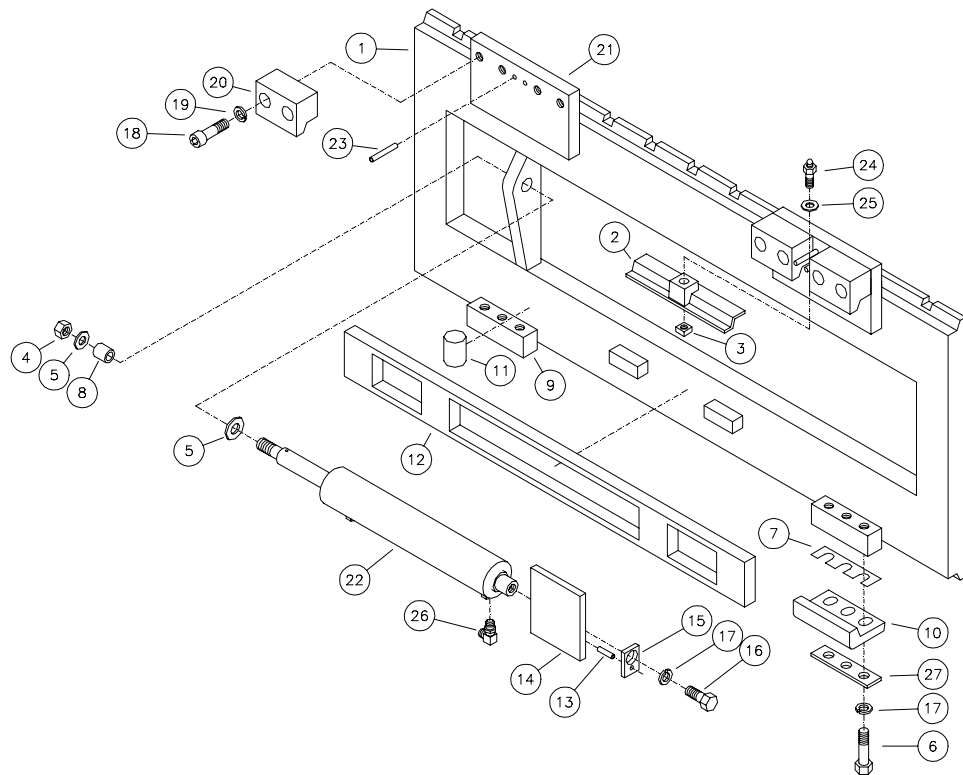


**CLASS II SIDE SHIFTER**

**FROM: MODEL AA 5 G-0000**  
**THRU: MODEL ZZ 5 H-9999**

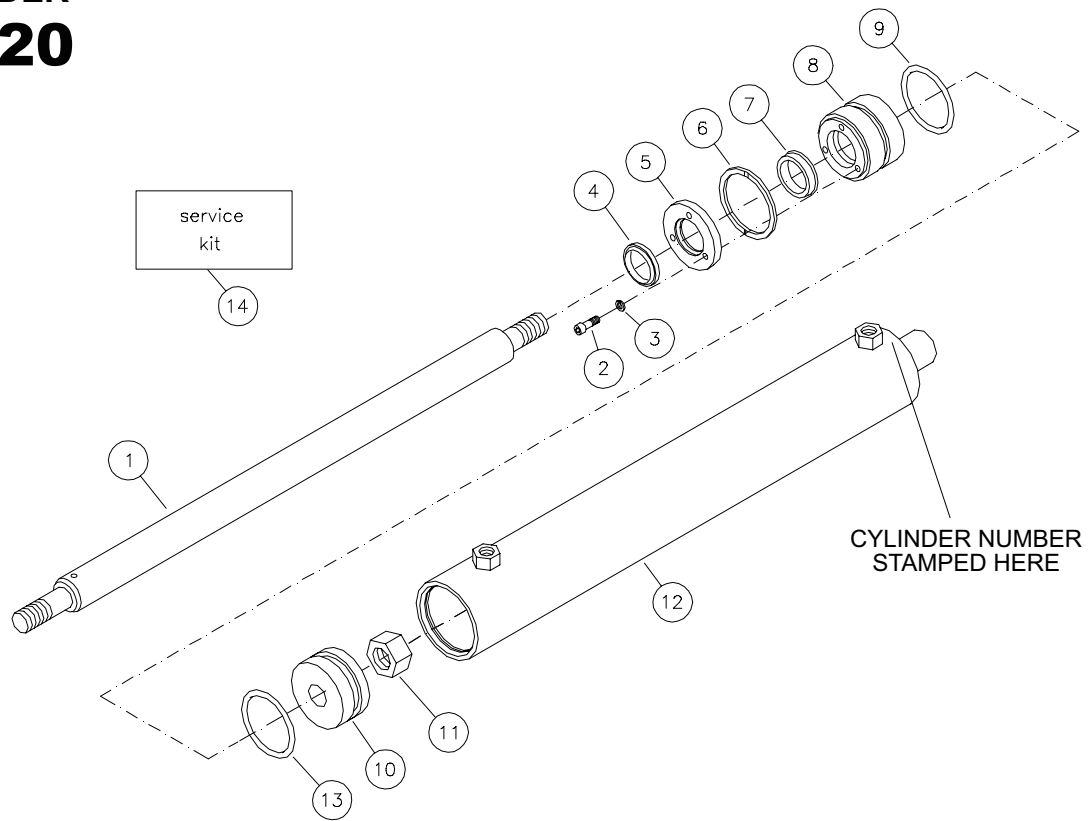


G267  
10

ITEM	REQ'D	PART #	DESCRIPTION	ITEM	REQ'D	PART #	DESCRIPTION
1.	1	*	SIDE SHIFT FRAME	15.	1	004-009	PLATE
2.	2	005-203	ITA SLIDE/RETAINER	16.	1	405-067-005	CAP SCREW
3.	2	406-004-001	NUT	17.	7	402-016-003	LOCK WASHER
4.	1	406-023-001	NUT	18.	8	403-028-001	SOCKET HEAD SCREW CAP
5.	2	404-009-001	FLAT WASHER	19.	8	402-017-001	LOCK WASHER
6.	6	405-067-003	CAP SCREW	20.	4	006-005	TOP HOOK
7.	6	041-001	SHIM	21.	2	001-004-001	TOP PAD
8.	1	046-003	BUSHING	22.	1	C-320	CYLINDER
9.	2	002-001-001	BOTTOM PAD	23.	4	401-016-002	ROLL PIN
10.	2	005-202	ITA SLIDE/RETAINER	24.	2	408-001	GREASE FITTING
11.	6	047-001	ROLLERS HEAT TREATED	25.	2	404-002-001	FLAT WASHER
12.	1	*	ROLLER CAGE	26.	2	120-051-002	FITTING
13.	1	401-016-001	ROLL PIN	27.	2	004-216	PLATE
14.	1	101-020-001	CYLINDER ANCHOR				

\* Specify side shifter model or serial number when ordering.

# CYLINDER C-320

G35  
7

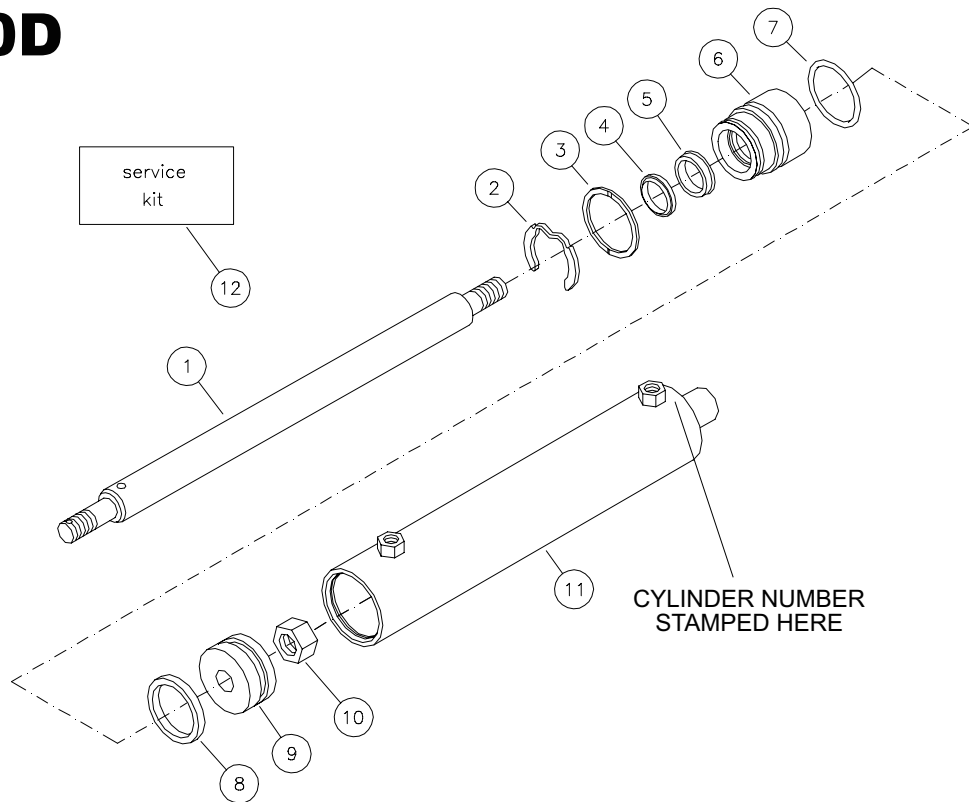
ITEM	REQ'D	PART #	DESCRIPTION
1.	1	104-023-001	CYLINDER ROD
2.	3	403-034-001	SOCKET HEAD CAP SCREW
3.	3	402-016-007	LOCK WASHER
4.	1	124-007-003	ROD WIPER
5.	1	107-001-001	CYLINDER RETAINER
6.	1	410-017-004	RETAINING RING
7.	1	123-009-003	ROD SEAL
8.	1	106-001-001	CYLINDER HEAD
9.	1	121-024-010	O-RING
10.	1	105-001-001	CYLINDER PISTON
11.	1	406-023-001	NUT
12.	1	108-006-001	TUBE ASSEMBLY
13.	1	121-023-004	O-RING
14.	0	900-002-005	SERVICE KIT

#### SERVICE KIT NUMBER 900-002-005 INCLUDES

1	124-007-003	ROD WIPER
1	123-009-003	ROD SEAL
1	121-023-004	O-RING
3	403-034-001	SOCKET HEAD CAP SCREW
3	402-016-007	LOCK WASHER
1	410-017-004	RETAINING RING
1	121-024-010	O-RING

- All seals are included in service kit.  
Seals are not sold individually.

# CYLINDER C-320D

G537  
7

ITEM	REQ'D	PART #	DESCRIPTION
1.	1	104-023-001	CYLINDER ROD
2.	1	410-022-003	RETAINING RING
3.	1	410-017-004	RETAINING RING
4.	1	124-007-003	ROD WIPER
5.	1	123-009-003	ROD/PISTON SEAL
6.	1	106-021-001	CYLINDER HEAD
7.	1	121-024-010	O-RING
8.	1	121-023-004	O-RING
9.	1	105-001-001	CYLINDER PISTON
10.	1	406-023-001	NUT
11.	1	108-006-001	TUBE ASSEMBLY
12.	0	900-014-002	SERVICE KIT

#### SERVICE KIT NUMBER 900-014-002 INCLUDES

1	124-007-003	ROD WIPER
1	123-009-003	ROD/PISTON SEAL
1	121-024-010	O-RING
1	410-022-003	RETAINING RING
1	121-023-004	O-RING
1	410-017-004	RETAINING RING

- All seals are included in service kit.  
Seals are not sold individually.