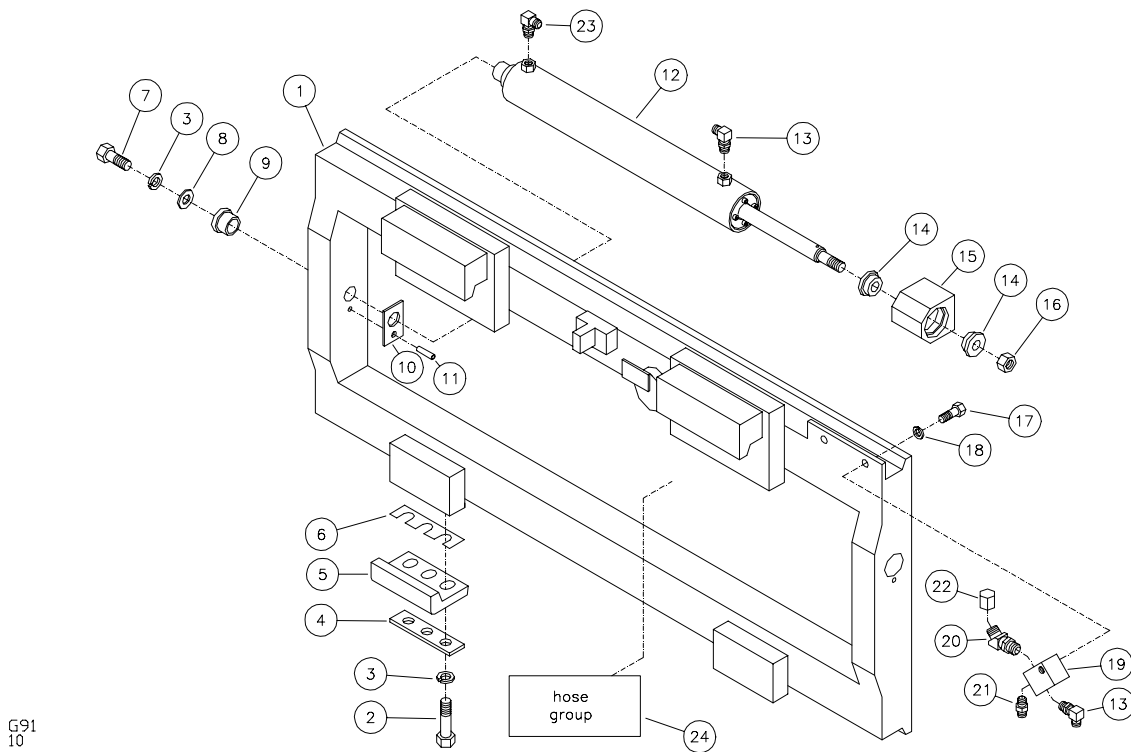


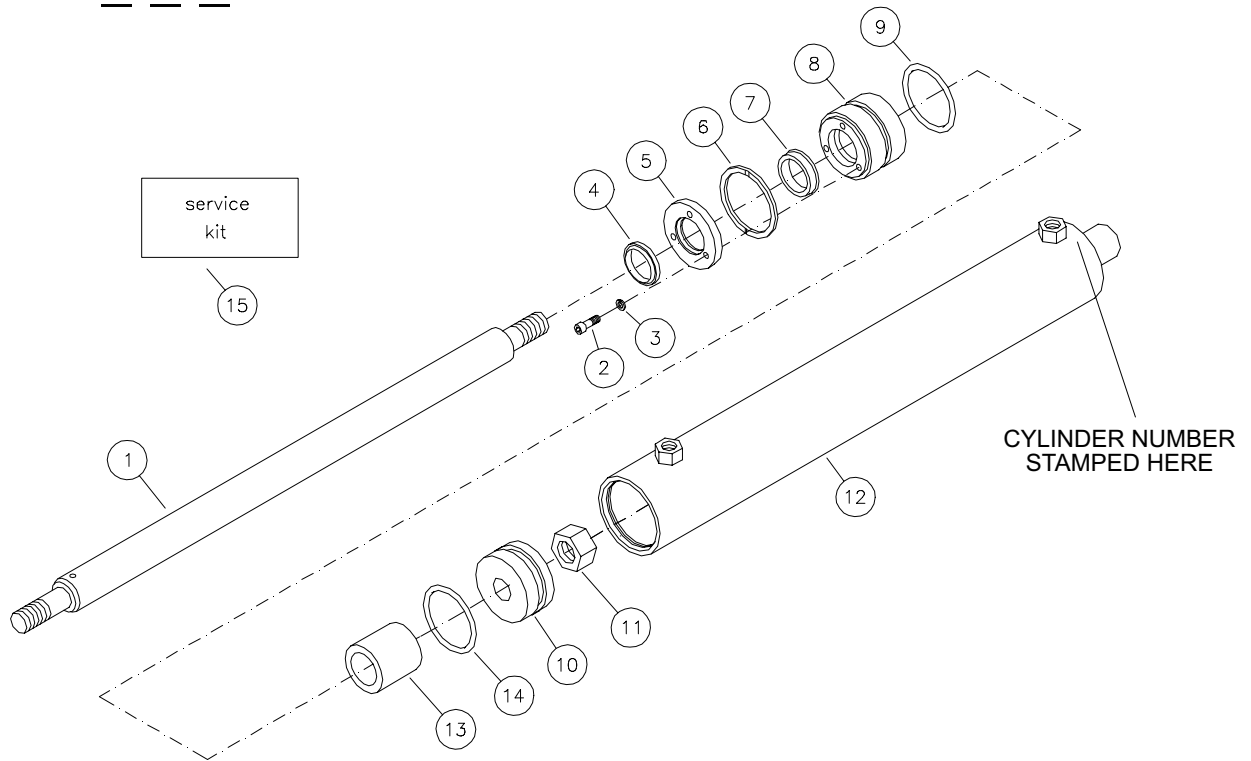
# CLASS II NON SIDE SHIFTING FORK POSITIONER FOR MODELS BEGINNING C5C, C4C, C3C



ITEM	REQ'D	PART #	DESCRIPTION	ITEM	REQ'D	PART #	DESCRIPTION
1.	1	204-010*	FORK POSITIONER	13.	4	120-051-003	FITTING
2.	6	405-067-003	CAP SCREW	14.	4	046-001	BUSHING
3.	8	402-016-003	LOCK WASHER	15.	2	101-007	CYLINDER ANCHOR
4.	2	004-216	PLATE	16.	2	406-023-001	NUT
5.	2	005-202	ITA SLIDE/RETAINER	17.	2	405-072-001	CAP SCREW
6.	6	041-001	SHIM	18.	2	402-016-004	LOCK WASHER
7.	2	405-067-005	CAP SCREW	19.	2	119-005-001	MANIFOLD
8.	2	404-009-001	FLAT WASHER	20.	2	120-064-001	FITTING
9.	2	046-002	BUSHING	21.	2	120-050-004	FITTING
10.	2	004-004	PLATE	22.	2	120-059-001	FITTING
11.	2	401-016-001	ROLL PIN	23.	2	120-070-001	FITTING
12.	2	C-1A*	CYLINDER	24.	1	127-069*	HYDRAULIC HOSE GROUP

\* Specify fork positioner model or serial number when ordering.

## CYLINDER

**C-1A** \_ \_ \_

ITEM	REQ'D	PART #	DESCRIPTION
1.	1	104-001*	CYLINDER ROD
2.	3	403-034-001	SOCKET HEAD CAP SCREW
3.	3	402-016-007	LOCK WASHER
4.	1	124-007-003	ROD WIPER
5.	1	107-001-001	CYLINDER RETAINER
6.	1	410-017-004	RETAINING RING
7.	1	123-009-003	ROD SEAL
8.	1	106-001-001	CYLINDER HEAD
9.	1	121-024-010	O-RING
10.	1	105-001-001	CYLINDER PISTON
11.	1	406-023-001	NUT
12.	1	108-006*	TUBE ASSEMBLY
13.	1	050-001*	SPACER
14.	1	121-023-004	O-RING
15.	0	900-002-005	SERVICE KIT

**SERVICE KIT NUMBER 900-002-005 INCLUDES**

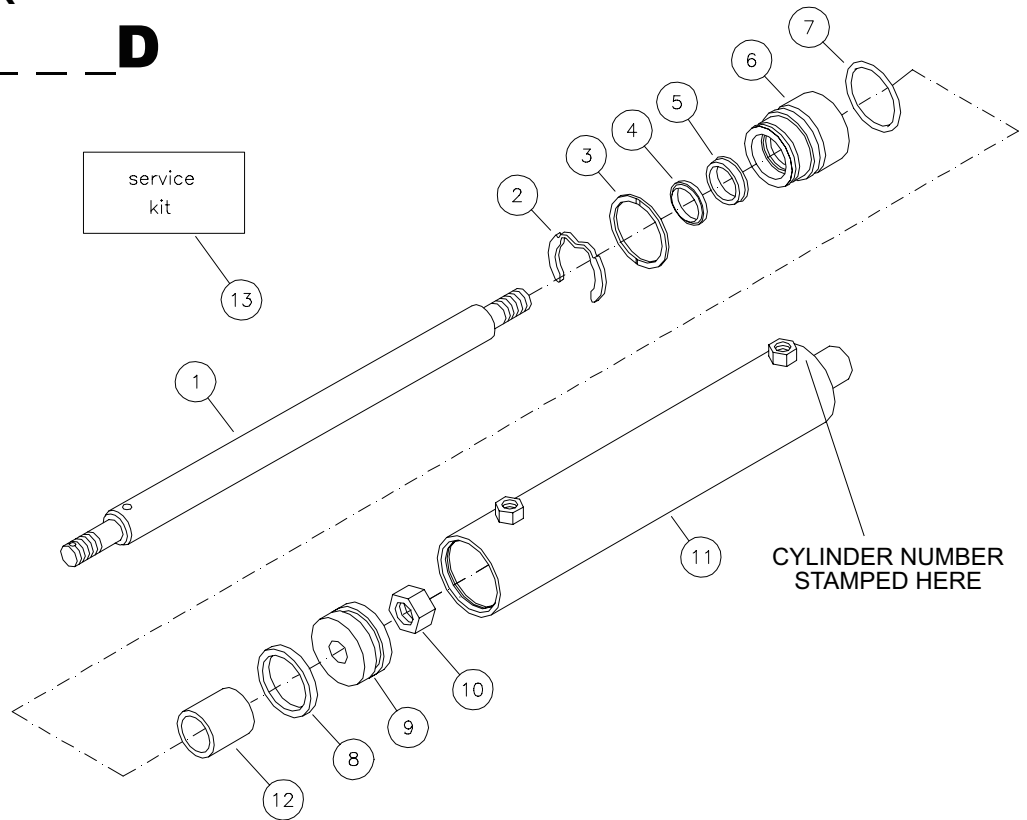
1	124-007-003	ROD WIPER
1	123-009-003	ROD SEAL
1	121-023-004	O-RING
3	403-034-001	SOCKET HEAD CAP SCREW
3	402-016-007	LOCK WASHER
1	410-017-004	RETAINING RING
1	121-024-010	O-RING

\* Specify cylinder number, attachment model number, or attachment serial number when ordering.

- All seals are included in service kit. Seals are not sold individually.

# CYLINDER

## C-1A\_\_ \_D

G588  
7

ITEM	REQ'D	PART #	DESCRIPTION
1.	1	104-001*	CYLINDER ROD
2.	1	410-022-003	RETAINING RING
3.	1	410-017-004	RETAINING RING
4.	1	124-007-003	ROD WIPER
5.	1	123-009-003	ROD/PISTON SEAL
6.	1	106-021-001	CYLINDER HEAD
7.	1	121-024-010	O-RING
8.	1	121-023-004	O-RING
9.	1	105-001-001	CYLINDER PISTON
10.	1	406-023-001	NUT
11.	1	108-006*	TUBE ASSEMBLY
12.	1	050-001*	SPACER/TUBE
13.	0	900-014-002	SERVICE KIT

### SERVICE KIT NUMBER 900-014-002 INCLUDES

1	124-007-003	ROD WIPER
1	123-009-003	ROD/PISTON SEAL
1	121-024-010	O-RING
1	410-022-003	RETAINING RING
1	121-023-004	O-RING
1	410-017-004	RETAINING RING

\* Specify cylinder number, attachment model number, or attachment serial number when ordering.

- All seals are included in service kit. Seals are not sold individually.

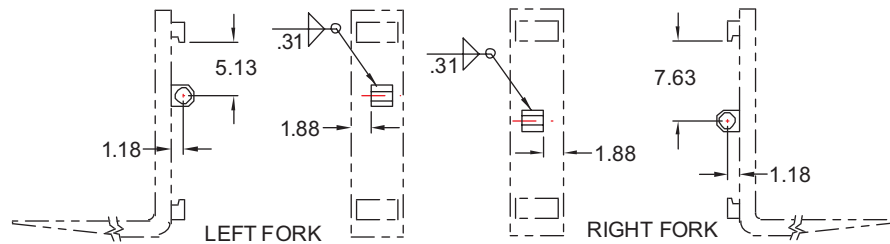
# INSTALLATION INSTRUCTIONS FOR ITA CLASS II FORK POSITIONERS

These Instructions cover both side shifting and non-side shifting ITA class II D and E Series models. Fork installation information is included for units without factory supplied forks. Welding is required to install forks and to mount side shifting units.

Please read the instructions completely before you begin. Keep hands and feet free from dangerous positions or pinch points while working. Wear eye protection and appropriate clothing. Use the correct tools. Work in a clean, well lighted area taking care not to contaminate the hydraulic system as serious damage could result. Protect cylinder rods and other critical surfaces from weld spatter or accidental damage.

## Installing the Forks *(Skip this procedure if your unit has factory installed forks.)*

1. Remove the fork anchors fastened to the fork positioning cylinder rods.
2. Weld one of the anchors to each fork shank as shown below. Make sure the anchor is level. Forks are made with various alloys. Contact the fork manufacturer for the recommended welding procedure.
3. Loosen the nut on each fork positioning cylinder base enough to push the cylinders back and allow the forks to be loaded through the center notch. Note: left and right are as viewed from the truck seat.



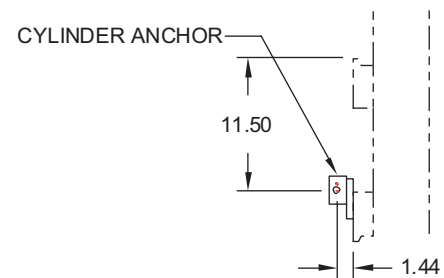
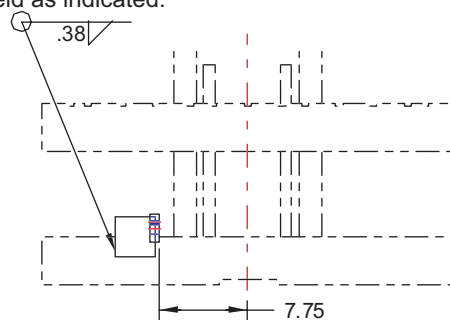
### NOTE!

Front mounted backrests require the 1.88 dimension to be reduced by width of mounting flange. Forks may hit when fully retracted.

4. Insert the rod end of the fork positioning cylinder into the appropriate fork anchor, check for proper alignment then tighten the nuts on both ends of the cylinder.

## Installing the Side Shift Cylinder Anchor *(Skip this procedure if your unit is non-side shifting.)*

1. Remove the side shift cylinder anchor from the side shift cylinder.
2. Carefully measure the truck carriage face as shown below and mark the cylinder anchor position.
3. Position the cylinder anchor as illustrated and tack weld. Insure that the anchor is perpendicular to the face of the truck carriage. Carriages are made with various alloys. Contact the truck manufacturer for the recommended welding procedure. Finish weld as indicated.



## Mounting the Attachment

1. Remove the lower retainers.
2. Hang the Fork Positioner on the truck carriage, install the side shift cylinder and reinstall the retainers using shims as required.

If you have any questions or comments call (503)-556-1761 for technical assistance. Thank you for using Rightline products.