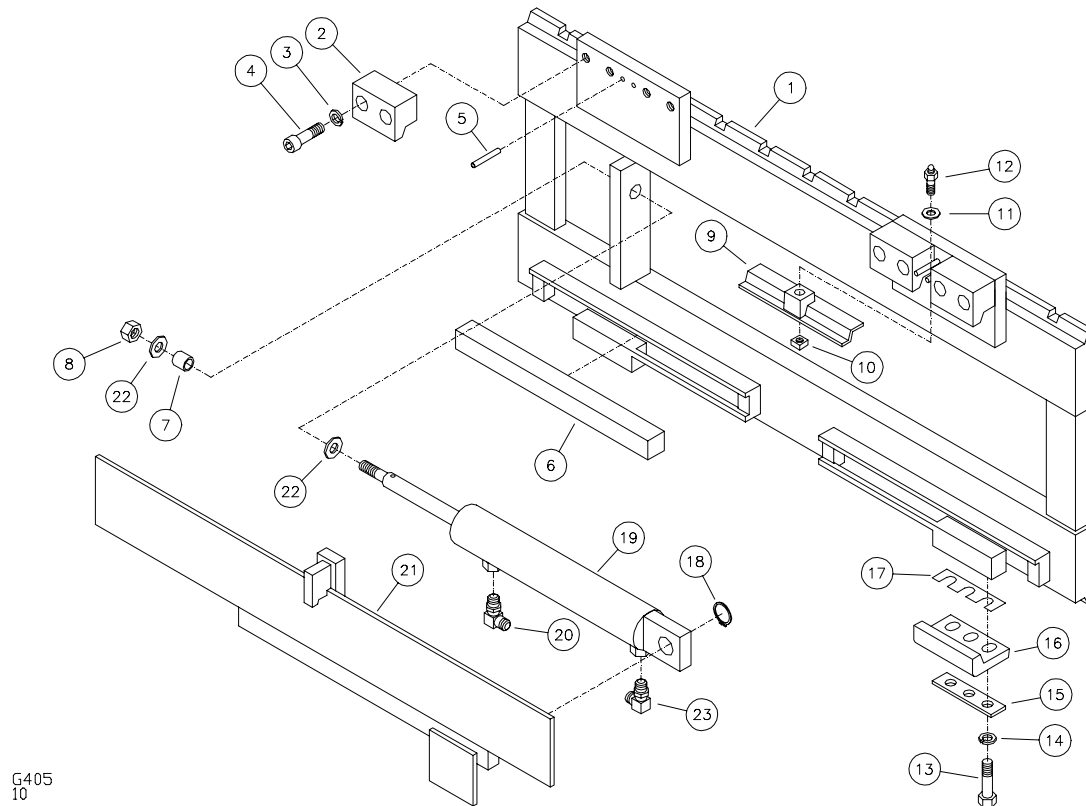


# CLASS II D-SERIES SIDE SHIFTER FOR MODELS BEGINNING 5D, 4D, 3D

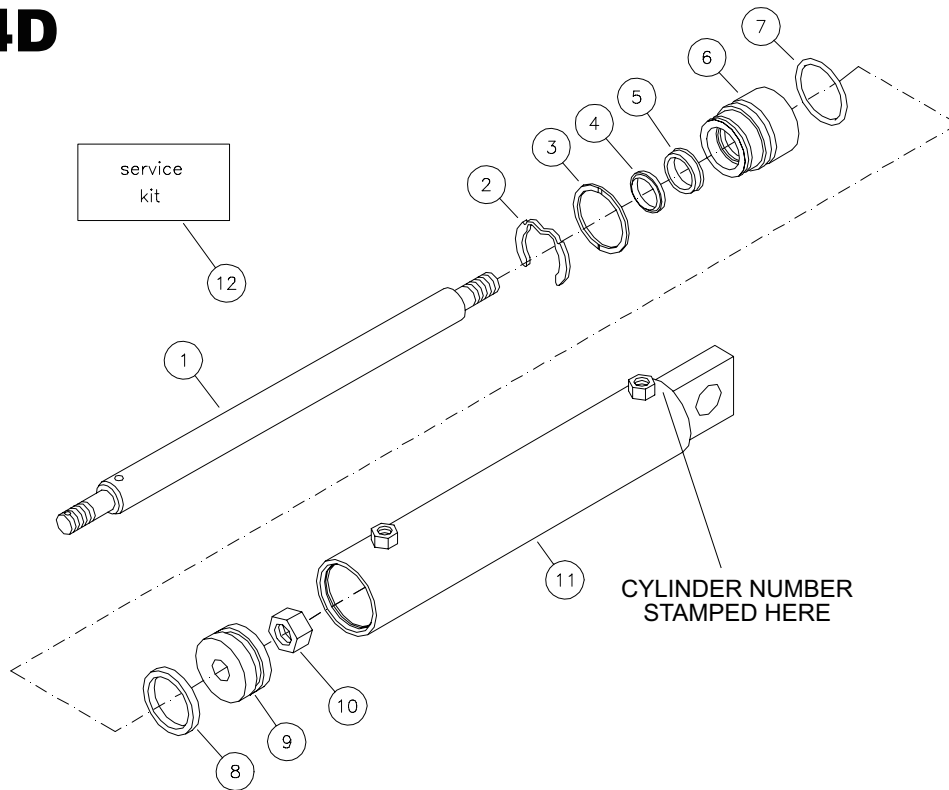


ITEM	REQ'D	PART #	DESCRIPTION	ITEM	REQ'D	PART #	DESCRIPTION
1.	1	*	ITA SIDE SHIFT FRAME	13.	6	405-067-003	CAP SCREW
2.	4	006-001	HOOK	14.	6	402-016-003	LOCK WASHER
3.	8	402-017-001	LOCK WASHER	15.	2	004-216	PLATE
4.	8	403-028-001	SOCKET HEAD SCREW CAP	16.	2	005-202	ITA SLIDE/RETAINER
5.	4	401-016-002	ROLL PIN	17.	6	041-001	SHIM
6.	2	020-040-001	POLYETHYLENE BEARING	18.	1	410-019-002	RETAINING RING
7.	1	046-003	BUSHING	19.	1	C-404	CYLINDER
8.	1	406-023-001	NUT	20.	1	120-051-002	FITTING
9.	2	005-201	ITA SLIDE/RETAINER	21.	1	101-001*	CYLINDER ANCHOR
10.	2	406-004-001	NUT	22.	2	404-009-001	FLAT WASHER
11.	2	404-002-001	FLAT WASHER	23.	1	120-070-002	FITTING
12.	2	408-001	GREASE FITTING				

\* Specify side shifter model or serial number when ordering.



# CYLINDER C-404D

G509  
7

ITEM	REQ'D	PART #	DESCRIPTION
1.	1	104-023-001	CYLINDER ROD
2.	1	410-022-003	RETAINING RING
3.	1	410-017-004	RETAINING RING
4.	1	124-007-003	ROD WIPER
5.	1	123-009-003	ROD/PISTON SEAL
6.	1	106-021-001	CYLINDER HEAD
7.	1	121-024-010	O-RING
8.	1	121-023-004	O-RING
9.	1	105-001-001	CYLINDER PISTON
10.	1	406-023-001	NUT
11.	1	108-020-001	TUBE ASSEMBLY
12.	0	900-014-002	SERVICE KIT

#### SERVICE KIT NUMBER 900-014-002 INCLUDES

1	124-007-003	ROD WIPER
1	123-009-003	ROD/PISTON SEAL
1	121-024-010	O-RING
1	410-022-003	RETAINING RING
1	121-023-004	O-RING
1	410-017-004	RETAINING RING

- All seals are included in service kit.  
Seals are not sold individually.