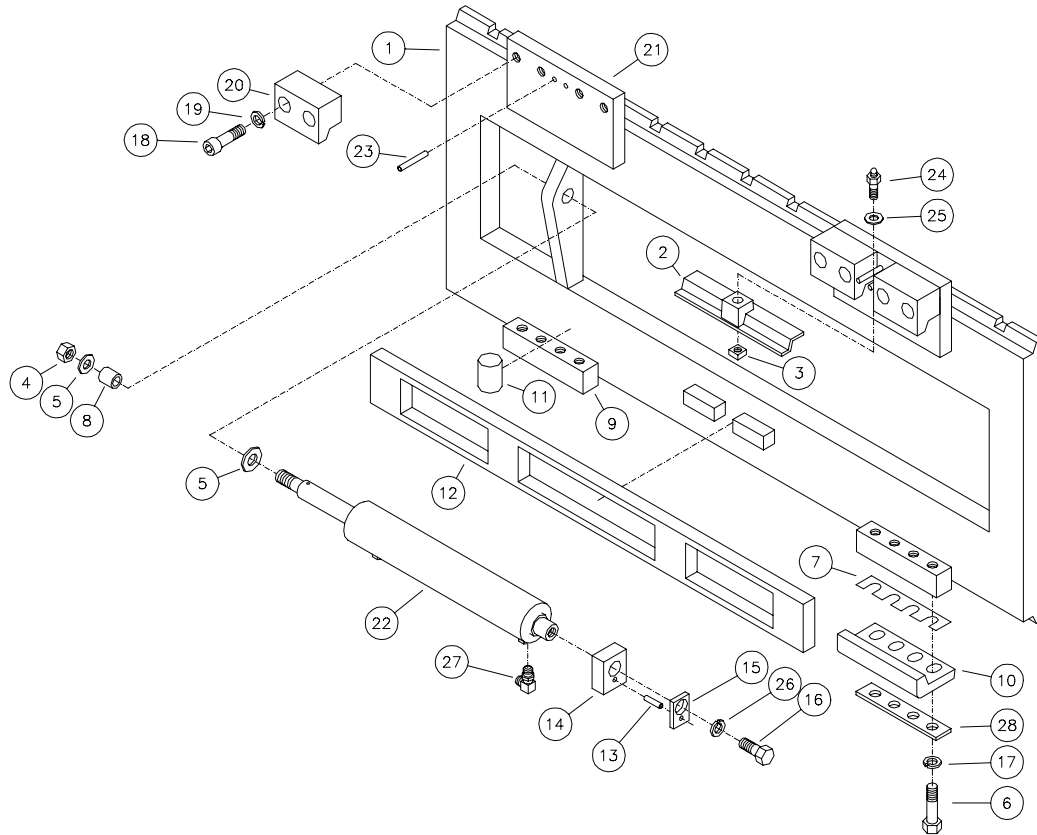


CLASS IV SIDE SHIFTER

FROM: MODEL AA 14 A-0000

THRU: MODEL ZZ 14 A-9999

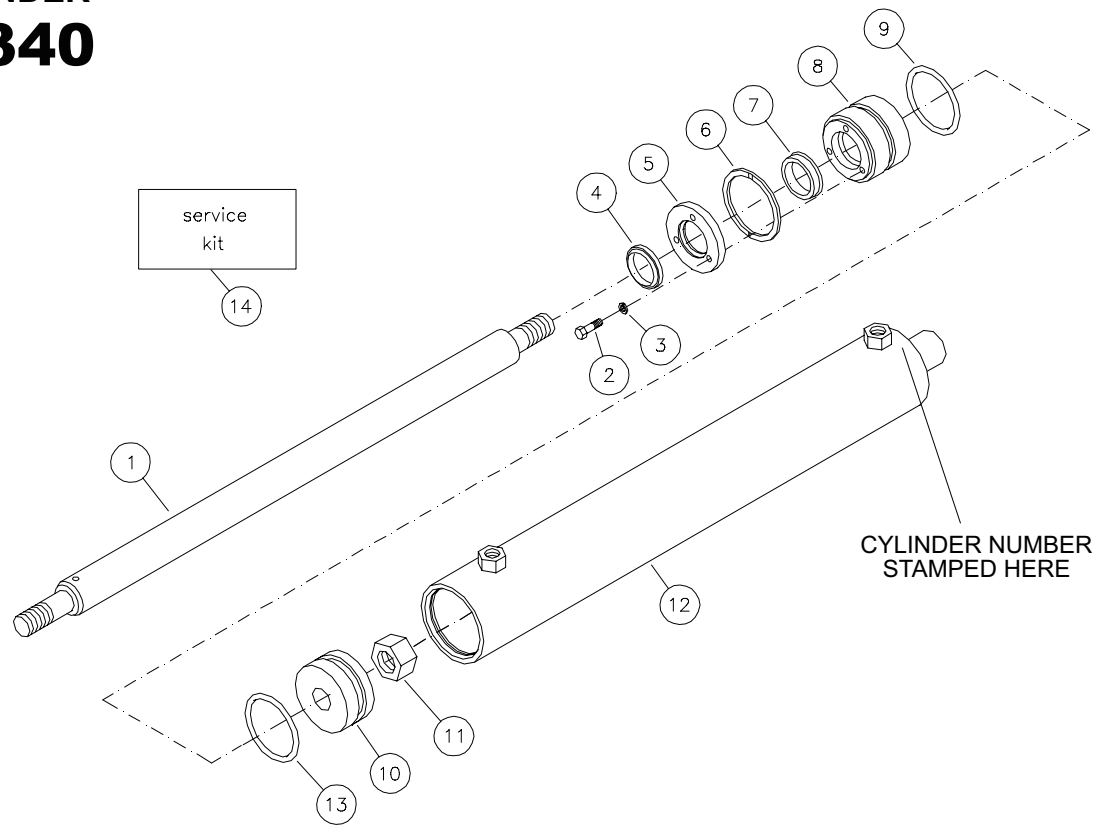
G268
10

ITEM	REQ'D	PART #	DESCRIPTION	ITEM	REQ'D	PART #	DESCRIPTION
1.	1	*	SIDE SHIFT FRAME	15.	1	004-007	PLATE
2.	2	005-402	ITA SLIDE/RETAINER	16.	1	405-069-004	CAP SCREW
3.	2	406-004-001	NUT	17.	8	402-016-003	LOCK WASHER
4.	1	406-023-002	NUT	18.	8	403-043-001	SOCKET HEAD SCREW CAP
5.	2	404-009-002	FLAT WASHER	19.	8	402-017-004	LOCK WASHER
6.	8	405-067-003	CAP SCREW	20.	4	006-003	HOOK
7.	6	041-002	SHIM	21.	2	18815	TOP PAD
8.	1	046-009	BUSHING	22.	1	C-340	CYLINDER
9.	2	002-006-001	BOTTOM PAD	23.	4	401-016-002	ROLL PIN
10.	2	005-401	ITA SLIDE/RETAINER	24.	2	408-002	GREASE FITTING
11.	12	047-001	ROLLERS HEAT TREATED	25.	2	404-002-001	FLAT WASHER
12.	1	*	ROLLER CAGE	26.	1	404-016-002	LOCK WASHER
13.	1	401-016-001	ROLL PIN	27.	2	120-051-002	FITTING
14.	1	101-153-003	CYLINDER ANCHOR	28.	2	004-225	PLATE

* Specify side shifter model or serial number when ordering.

CYLINDER

C-340

G36
7

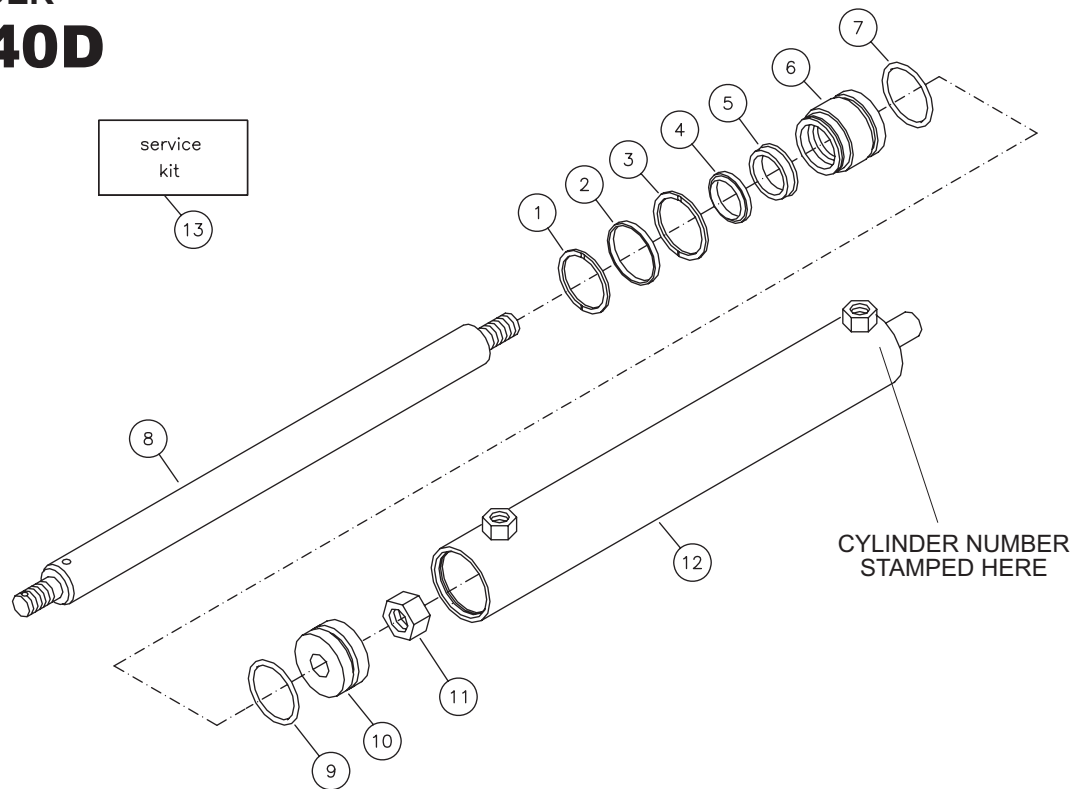
ITEM	REQ'D	PART #	DESCRIPTION
1.	1	104-024-001	CYLINDER ROD
2.	3	405-076-001	SOCKET HEAD CAP SCREW
3.	3	402-016-006	LOCK WASHER
4.	1	124-007-002	ROD WIPER
5.	1	107-006-001	CYLINDER RETAINER
6.	1	410-017-002	RETAINING RING
7.	1	123-009-002	ROD SEAL
8.	1	106-008-001	CYLINDER HEAD
9.	1	121-024-004	O-RING
10.	1	105-003-001	CYLINDER PISTON
11.	1	406-023-002	NUT
12.	1	108-008-001	TUBE ASSEMBLY
13.	1	121-023-002	O-RING
14.	0	900-002-001	SERVICE KIT

SERVICE KIT NUMBER 900-002-001 INCLUDES

1	124-007-002	ROD WIPER
1	123-009-002	ROD SEAL
1	121-023-002	O-RING
3	405-076-001	SOCKET HEAD CAP SCREW
3	402-016-006	LOCK WASHER
1	410-017-002	RETAINING RING
1	121-024-004	O-RING

- All seals are included in service kit.
Seals are not sold individually.

CYLINDER C-340D

G881
7

ITEM	REQ'D	PART #	DESCRIPTION
1.	1	410-018-005	RETAINING RING
2.	1	046-041-006	BUSHING
3.	1	410-017-002	RETAINING RING
4.	1	124-007-002	ROD WIPER
5.	1	123-009-004	ROD/PISTON SEAL
6.	1	106-032-001	CYLINDER HEAD
7.	1	121-024-004	O-RING
8.	1	104-024-001	CYLINDER ROD
9.	1	121-023-002	O-RING
10.	1	105-003-001	CYLINDER PISTON
11.	1	406-023-002	NUT
12.	1	108-008-001	TUBE ASSEMBLY
13.	0	900-023-001	SERVICE KIT

SERVICE KIT NUMBER 900-023-001 INCLUDES

1	124-007-002	ROD WIPER
1	123-009-004	ROD/PISTON SEAL
1	121-024-004	O-RING
1	410-018-005	RETAINING RING
1	121-023-002	O-RING
1	410-017-002	RETAINING RING

- All seals are included in service kit.
Seals are not sold individually.